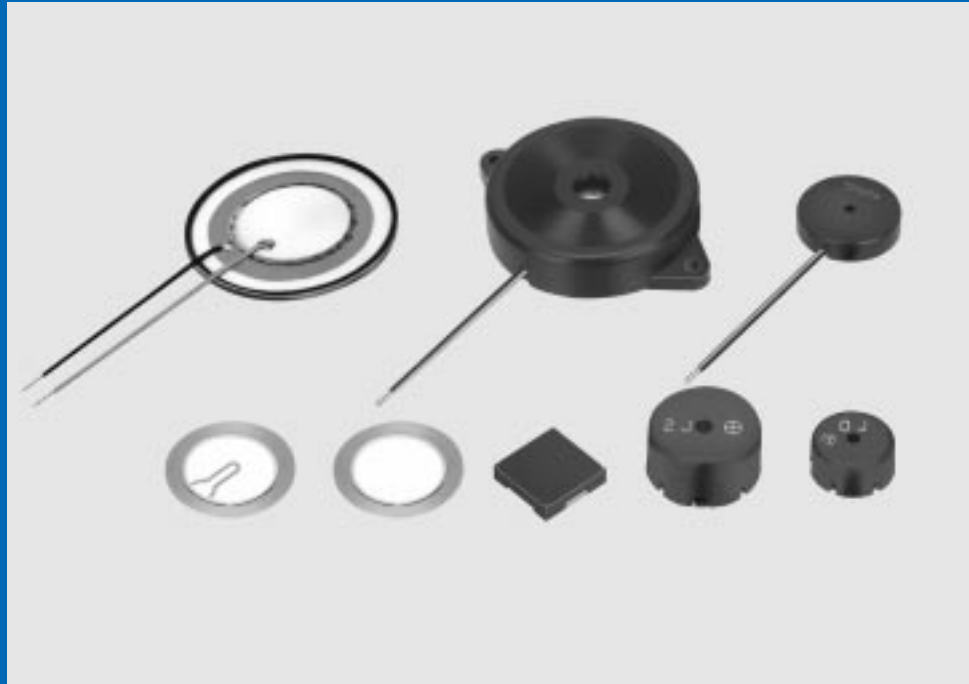


# Piezoelectric Sound Components

## PIEZOELECTRIC SOUND COMPONENTS



Murata  
Manufacturing Co., Ltd.

Cat.No.P37E-17

# CONTENTS

PIEZORINGER®, CERAMITONE® and "PIEZORINGER" in this catalog are the trademarks of Murata Manufacturing Co., Ltd.

<b>Part Numbering</b>	_____	2
<b>Application Matrix</b>	_____	5
<b>1 Piezoelectric Diaphragms</b>	_____	6
<b>External Drive Type</b>	_____	6
<b>Self Drive Type</b>	_____	7
● <b>Piezoelectric Diaphragms Notice</b>	_____	8
<b>2 Piezoelectric Sounders External Drive Pin Type</b>	_____	9
<b>3 Piezoelectric Sounders External Drive Pin Type Taping</b>	_____	15
<b>4 Piezoelectric Sounders External Drive Lead Wire Type</b>	_____	17
<b>5 Piezoelectric Sounders External Drive SMD Type</b>	_____	19
<b>Piezoelectric Sounders (External Drive) Circuit/Notice</b>	_____	21
<b>6 Piezoelectric Ringers (PIEZORINGER®)</b>	_____	22
<b>Pin Type</b>	_____	23
<b>Lead Wire Type</b>	_____	23
● <b>Piezoelectric Ringers (PIEZORINGER®) Notice</b>	_____	25
<b>7 Piezoelectric Sounders Self Drive Pin Type</b>	_____	26
● <b>Piezoelectric Sounders (Self Drive) Notice</b>	_____	27
<b>8 Piezoelectric Buzzers</b>	_____	28
<b>Pin Type</b>	_____	29
<b>Lead Wire Type</b>	_____	29
● <b>Piezoelectric Buzzers Notice</b>	_____	30
<b>9 Piezoelectric Receiver</b>	_____	31
● <b>Piezoelectric Receiver Circuit/Notice</b>	_____	33
<b>10 Piezoelectric Speakers (CERAMITONE®)</b>	_____	34
● <b>Piezoelectric Speakers (CERAMITONE®) Notice</b>	_____	36
<b>Package</b>	_____	37

1

2

3

4

5

6

7

8

9

10

● **Part Numbering** (The structure of the "Global Part Numbers" that have been adopted since June 2001 and the meaning of each code are described herein.)  
 If you have any questions about details, inquire at your usual Murata sales office or distributor.

**Piezoelectric Sounders/Piezoelectric Buzzers/Piezoelectric Ringers(PIEZORINGER®)**

(Global Part Number) **PK M 13 E P Y -40 00 P -A0**  
 ① ② ③ ④ ⑤ ⑥ ⑦ ⑧ ⑨ ⑩

① Product ID

Product ID	
<b>PK</b>	Piezoelectric Sound Components

② Product

Code	Product
<b>M</b>	Sounder, Ringer
<b>B</b>	Buzzer

③ Outer Dimensions

Expressed by two figures in mm.

Ex.)

Code	Outer Dimensions
<b>13</b>	ø12.6mm

④ Drive

Code	Drive
<b>E</b>	External-Drive
<b>S</b>	Self-Drive

⑤ Outer Electrode Style

Code	Outer Electrode Style
<b>P</b>	Pin Type
<b>W</b>	Lead Wire Type

⑥ Structure

Code	Structure
<b>T</b>	Standing Type
<b>P</b>	Flat Type Auto-assemble
<b>Y</b>	Flat Type/Available for Taping
<b>C</b>	Flat Type/Semi-auto-assemble

**SMD Piezoelectric Sounder**

(Global Part Number) **PK LCS 1212 E 40 01 -R1**  
 ① ② ③ ④ ⑤ ⑥ ⑦

① Product ID

Product ID	
<b>PK</b>	Piezoelectric Sound Components

② Product

Code	Product
<b>LCS</b>	SMD Sounder

③ Dimensions

Code	Outer Dimensions
<b>1212</b>	□12mm

④ Drive

Code	
<b>E</b>	External Drive

⑦ Oscillating Frequency Type

Code	Oscillating Frequency Type
<b>-40</b>	A hyphen (-) plus two-digit figures express Oscillating Frequency type.

If there is no decimal point, the decimal point is omitted.

⑧ Individual Specification Code

Code	Individual Specification Code
<b>00</b>	Two digits express specific specification in characteristics.

⑨ Special Quality Guarantee

Code	Special Quality Guarantee
<b>P</b>	Post Plated Terminal
<b>-</b>	Omitted

⑩ Packaging

Code	Packaging
<b>-B0</b>	Bulk
<b>-A0</b>	Radial Taping
<b>-M0</b>	Magazine

Radial taping or magazine are not available for all types. Please contact us.

⑤ Oscillating Frequency Type

Code	Oscillating Frequency Type
<b>40</b>	A hyphen (-) plus two-digit figures express Oscillating Frequency type.

⑥ Individual Specification Code

Code	Individual Specification Code
<b>01</b>	Two digit express specific specification in characteristics.

⑦ Packaging

Code	Packaging
<b>-R1</b>	Plastic taping

### SMD Piezoelectric Receiver

(Global Part Number) **PK** **LCD** **1212** **E** **10** **00** **-R1**  
 ① ② ③ ④ ⑤ ⑥ ⑦

#### ① Product ID

Product ID	
<b>PK</b>	Piezoelectric Sound Components

#### ② Product

Code	Product
<b>LCD</b>	SMD Receiver

#### ③ Dimensions

Code	Outer Dimensions
<b>1212</b>	□12mm

#### ④ Drive

Code	
<b>R</b>	Receiver

#### ⑤ Oscillating Frequency Type

Code	
<b>10</b>	A hyphen (-) plus two-digit figures express Oscillating Frequency type.

#### ⑥ Individual Specification Code

Code	Individual Specification Code
<b>00</b>	Two digit express specific specification in characteristics.

#### ⑦ Packaging

Code	Packaging
<b>-R1</b>	Plastic taping

### Piezoelectric Diaphragms

(Global Part Number) **7** **N** **B** **-31R2** **DM** **-1R5**  **A** **10**  
 ① ② ③ ④ ⑤ ⑥ ⑦ ⑧ ⑨

#### ① Product ID(1)

Product ID(1)	Ceramic Material
7	A2

#### ② Product(2)

Product ID(2)	Metal Plate Material
B	Brass
N	Nickel Alloy
M	Ni Plated Iron
S	SUS

#### ③ Product

Code	Product
B	Piezoelectric Diaphragms

#### ④ Metal Plate Diameter

Code	Metal Plate Diameter
-31R2	A hyphen (-) plus four-digit alphanumerics express metal plate outer dimensions. A decimal point is expressed by the capital letter "R".

If there is no decimal point, the decimal point code is omitted.

#### ⑤ Form of Piezoelectric Style

Code	Form of Piezoelectric Style
DM	Two digits express shape of ceramics.

For an Ag electrode, this digit remains blank, the corresponding code is omitted.

### Piezoelectric Speakers (CERAMITONE®)

(Global Part Number) **VS** **B** **35** **E** **W** **-07** **01** **B**  
 ① ② ③ ④ ⑤ ⑥ ⑦ ⑧

#### ① Product ID

Product ID	Piezoelectric Speakers
VS	Piezoelectric Speakers

#### ② Product

Code	Product
B	Piezoelectric Diaphragms

#### ③ Outer Dimensions

Code	Outer Dimensions
35	ø35mm
50	ø50mm

#### ④ Drive

Code	Drive
E	External Drive

#### ⑥ Resonant Frequency Type

Code	Resonant Frequency (kHz)
-1R5	A hyphen (-) and three-digit alphanumerics express resonant frequency. A decimal point is expressed by the capital letter "R".

If there is no decimal point, the decimal point is omitted.

#### ⑦ With Feedback Electrode

Code	With Feedback Electrode
C	With Feedback Electrode
-	without Feedback Electrode

#### ⑧ Product Specification

Code	Product Specification
A	With lead
-	No lead (omitted)

#### ⑨ Individual Specification Code

Code	Individual Specification Code
10	These digits express a lead length, lead number, and presence/absence of a connector.

If the product has no individual specification, the corresponding code is omitted.

#### ⑤ Outer Electrode Style

Code	Outer Electrode Style
W	Lead Wire Type

#### ⑥ Resonant Frequency Type

Code	Resonant Frequency
-03	1st Resonant Frequency : 300Hz
-07	1st Resonant Frequency : 700Hz

#### ⑦ Individual Specification Code

Code	Individual Specification Code
01	Characteristics, Style, others

#### ⑧ Numbers of Ceramic

Code	Numbers of Ceramic
B	Two Elements (The code is omitted when element is one.)

## Application Matrix

		Application	Tele- phone	Watch	Clock	Medical Equip- ment	Gas Alarm	Camera	Toy	Bar Code Scanner	Type- Writer	Printer	Note- PC PDA	DVD- Player	Micro- Wave Oven	Air Condi- tioner	Fan Heater	
		Part Number																
Piezoelectric Diaphragm	External Drive Type	7BB-12-9		●	●	●		●	●				●					
		7BB-15-6			●	●		●	●				●					
		7BB-20-3	●	●	●	●			●	●	●							
		7BB-20-4	●	●	●	●			●	●	●							
		7BB-20-6			●	●			●	●				●				
		7BB-20-6A0			●	●				●				●				
		7BB-27-4	●		●	●				●	●							
		7BB-27-4A0	●		●	●				●	●							
		7BB-35-3	●		●					●	●							
		7BB-35-3A0	●		●					●	●							
		7BB-41-2	●															
		7BB-41-2A0	●															
		7BB-50M-1	●															
	7SB-20-7		●	●	●				●				●					
	Self Drive Type	7BB-20-6C	●						●	●								
		7BB-20-6CA0	●						●	●								
		7BB-27-3C	●					●		●								
		7BB-27-4C	●					●		●	●							
		7BB-27-4CA0	●					●		●	●							
		7BB-35-3C	●					●			●							
7BB-35-3CA0		●					●			●								
7BB-41-20		●																
7BB-41-2CA0		●																
7NB-27-2C		●																
7NB-27-3C	●					●												
7NB-27-4C	●					●												
7SB-34R7-3C						●												
Piezoelectric Sounder	External Drive Type	PKM13EPY-4000-A0	●		●	●		●	●	●	●	●	●	●		●	●	
		PKM13EPY-4002-B0	●		●	●			●	●	●	●	●	●	●	●	●	●
		PKM17EPP-2002-B0	●		●	●				●	●	●	●	●	●	●	●	●
		PKM17EPP-4001-B0	●		●	●				●	●	●	●	●	●	●	●	●
		PKM17EPT-4001-B0								●		●	●	●	●	●	●	●
		PKM17EW-2001	●		●	●			●	●	●	●	●	●	●		●	
		PKM22EP-2001								●		●	●	●	●	●	●	●
		PKM22EPP-2001-B0	●		●	●				●		●	●	●	●	●	●	●
		PKM22EPP-4001-B0	●		●	●				●		●	●	●	●	●	●	●
		PKM22EPP-4005-B0	●		●	●				●		●	●	●	●	●	●	●
		PKM22EPP-4007-B0	●		●	●				●		●	●	●	●	●	●	●
		PKM22EPT-2001-B0								●		●	●	●	●	●	●	●
		PKM22EPT-4001-B0								●		●	●	●	●	●	●	●
		PKM17EW-4000	●		●	●				●	●	●	●	●	●		●	
	PKLCS1212E4001-R1	●			●				●	●	●	●	●			●		
Self Drive Type	PKM24SP-3805	●					●		●						●	●	●	
	PKM30SPT-2001-B0								●		●	●		●				
	PKM30SPT-2501-B0								●		●	●						
Piezoelectric Buzzer	PKB24SPC-3601-B0	●			●				●		●	●	●	●		●	●	
	PKB24SW-3301	●		●					●		●	●	●		●	●	●	
	PKB30SPC-2001-B0	●					●		●		●	●	●		●	●	●	
	PKB30SPC-3001-B0	●					●		●		●	●	●		●	●	●	
Piezoelectric Ringer	PKM33EP-1201C	●																
	PKM34EW-1101C	●																
	PKM34EW-1201C	●																
	PKM44EP-0901	●																
	PKM44EW-1001C	●																
Piezoelectric Receiver	PKLCD1212R1000-R1	●																
Piezoelectric Speaker	VSB35EW-0701B	●							●									
	VSB50EW-0301B	●							●									

There are various applications besides above table.

Fire Alarm, Burglar Alarm, Laundry Machine, Bath, Interphone, Chime, Pager, Back Buzzer, ME Instruments, Measuring Instruments, Vending Machine, Calculator, Automobile, Communication Radio, Hemodynamometer, Thermometer, Running meter, Facsimile, Audio timer, Automatic Controlling Devices.

# Piezoelectric Sound Components



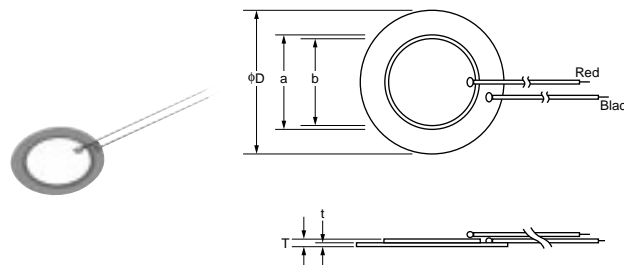
## Piezoelectric Diaphragms

### ■ Features

1. Low power consumption.
2. No contacts therefore, no noise and highly reliable.

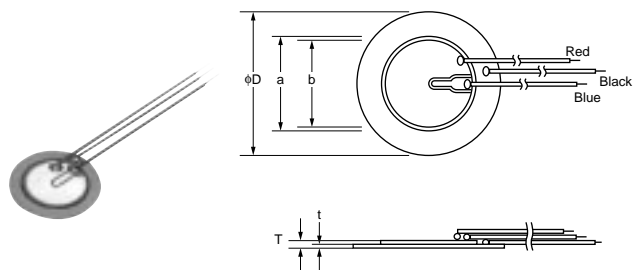
### ■ Applications

- Telephone ringers.
- Various office equipment such as PPCs, printers and keyboards.
- Various home appliances such as microwave ovens.
- Confirmation sound of various audio equipment.



### External Drive Type

Part Number	Resonant Frequency (kHz)	Resonant Impedance (ohm)	Capacitance (nF)	Plate Size dia D (mm) (dia)	Element Size a (mm) (dia)	Electrode Size b (mm) (dia)	Thickness T (mm)	Plate Thickness t (mm)	Plate Material
7BB-12-9	9.0 ±1.0kHz	1000 max.	8 ±30% [1kHz]	12.0	9.0	8.0	0.22	0.10	Brass
7BB-15-6	6.0 ±1.0kHz	350 max.	10 ±30% [1kHz]	15.0	10.0	9.0	0.22	0.10	Brass
7BB-20-3	3.6 ±0.6kHz	500 max.	20 ±30% [1kHz]	20.0	14.0	12.8	0.22	0.10	Brass
7BB-20-6	6.3 ±0.6kHz	350 max.	10 ±30% [1kHz]	20.0	14.0	12.8	0.42	0.20	Brass
7BB-20-6A0	6.3 ±0.6kHz	1000 max.	10 ±30% [1kHz]	20.0	14.0	12.8	0.42	0.20	Brass (with Lead Wire)
7BB-27-4	4.6 ±0.5kHz	200 max.	20 ±30% [1kHz]	27.0	19.7	18.2	0.54	0.30	Brass
7BB-27-4A0	4.6 ±0.5kHz	300 max.	20 ±30% [1kHz]	27.0	19.7	18.2	0.54	0.30	Brass (with Lead Wire)
7BB-35-3	2.8 ±0.5kHz	200 max.	30 ±30% [1kHz]	35.0	25.0	23.0	0.53	0.30	Brass
7BB-35-3A0	2.8 ±0.5kHz	200 max.	30 ±30% [1kHz]	35.0	25.0	23.0	0.53	0.30	Brass (with Lead Wire)
7BB-41-2	2.2 ±0.3kHz	250 max.	30 ±30% [1kHz]	41.0	25.0	23.0	0.63	0.40	Brass
7BB-41-2A0	2.2 ±0.3kHz	300 max.	30 ±30% [1kHz]	41.0	25.0	23.0	0.63	0.40	Brass (with Lead Wire)
7BB-50M-1	1.0 ±0.3kHz	1200 max.	28 ±30% [120Hz]	50.0	25.0	23.0	0.44	0.20	Nickel-Plated Brass
7SB-20-7	7.2 ±0.8kHz	350 max.	10 ±30% [1kHz]	20.0	14.0	12.8	0.42	0.20	Stainless



### Self Drive Type

Part Number	Resonant Frequency (kHz)	Resonant Impedance (ohm)	Capacitance (nF)	Plate Size dia D (mm) (dia)	Element Size a (mm) (dia)	Electrode Size b (mm) (dia)	Thickness T (mm)	Plate Thickness t (mm)	Plate Material
<b>7BB-20-6C</b>	6.3 ±0.6kHz	500 max.	8.5 ±30% [1kHz]	20.0	14.0	12.8	0.42	0.20	Brass
<b>7BB-20-6CA0</b>	6.3 ±0.6kHz	800 max.	8.5 ±30% [1kHz]	20.0	14.0	12.8	0.42	0.20	Brass (with Lead Wire)
<b>7BB-27-3C</b>	3.0 ±0.5kHz	300 max.	35 ±30% [1kHz]	27.0	19.7	18.2	0.27	0.15	Brass
<b>7BB-27-4C</b>	4.6 ±0.5kHz	200 max.	18 ±30% [1kHz]	27.0	19.7	18.2	0.54	0.30	Brass
<b>7BB-27-4CA0</b>	4.6 ±0.5kHz	350 max.	18 ±30% [1kHz]	27.0	19.7	18.2	0.54	0.30	Brass (with Lead Wire)
<b>7BB-35-3C</b>	2.8 ±0.5kHz	200 max.	26 ±30% [1kHz]	35.0	25.0	23.0	0.53	0.30	Brass
<b>7BB-35-3CA0</b>	2.8 ±0.5kHz	200 max.	26 ±30% [1kHz]	35.0	25.0	23.0	0.53	0.30	Brass (with Lead Wire)
<b>7BB-41-2C</b>	2.2 ±0.3kHz	250 max.	24 ±30% [1kHz]	41.0	25.0	23.0	0.63	0.40	Brass
<b>7BB-41-2CA0</b>	2.2 ±0.3kHz	350 max.	24 ±30% [1kHz]	41.0	25.0	23.0	0.63	0.40	Brass (with Lead Wire)
<b>7NB-27-2C</b>	2.2 ±0.5kHz	300 max.	37 ±30% [120Hz]	27.0	19.7	18.2	0.22	0.10	Iron Nickel Alloy
<b>7NB-27-3C</b>	3.0 ±0.5kHz	300 max.	24 ±30% [1kHz]	27.0	19.7	18.2	0.32	0.15	Iron Nickel Alloy
<b>7NB-27-4C</b>	3.8 ±0.5kHz	300 max.	19 ±30% [1kHz]	27.0	19.7	18.2	0.42	0.20	Iron Nickel Alloy
<b>7SB-34R7-3C</b>	3.1 ±0.3kHz	150 max.	24 ±30% [1kHz]	34.7	25.0	23.4	0.50	0.25	Stainless

### ■ Node Diameter

Part Number	Node Diameter (mm)
<b>7BB-20-6C</b>	φ13.5
<b>7BB-27-4C</b>	φ17.5
<b>7BB-35-3C</b>	φ22.5
<b>7BB-41-2C</b>	φ26.5

• Sound diaphragm without feedback electrode also have the same node diameters.



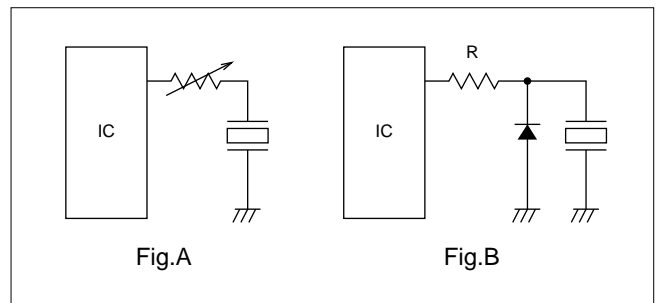
# Piezoelectric Diaphragms Notice

## ■ Notice (Soldering and Mounting)

1. Applying load on the center area of the diaphragm may cause clack in the ceramic element. When the diaphragm is supported by edge, the load should be only applied around edge.
2. Please consult with Murata or Murata representative, in case of soldering on the component.

## ■ Notice (Handling)

1. Please do not touch the component with bare hand because electrode may be corroded.
2. The component may be damaged if mechanical stress over this specification is applied.
3. Please pay attention to protect operating circuit from surge voltage provided by something of force such as falling, shock and temperature changing.
4. If DC voltage is applied to the component, silver migration may occur. Please pay full attention not to subject the component to DC voltage for long periods.
5. The resistor should be used as shown in Fig. A.  
A suitable resistance value should be chosen, preferably 1kΩ to 2kΩ. Instead of this measure, a diode may also be applied as shown in Fig. B.



6. Please pay enough attention not to pull lead wire too much because wire may be broken or soldering point may come off.

# Piezoelectric Sound Components



## Piezoelectric Sounders External Drive Pin Type

Now, microcomputers are widely used for microwave ovens, air conditioners, cars, toys, timers, and other alarm equipment. Externally driven piezoelectric sounders are used in digital watches, electronic calculators, telephones and other equipment. They are driven by a signal (ex, 2048Hz or 4096Hz) from an LSI and provide melodious sound.

### ■ Features

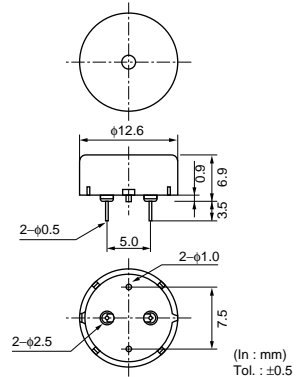
1. Low power consumption.
2. No contacts therefore, no noise and highly reliable.

### ■ Applications

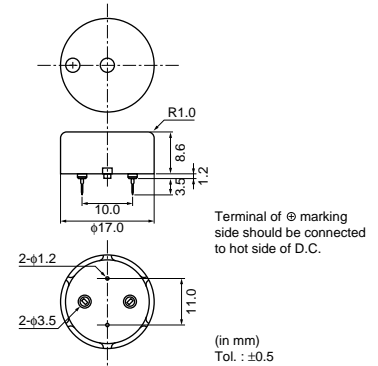
- Telephone ringers.
- Various office equipment such as PPCs, printers and keyboards.
- Various home appliances such as microwave ovens.
- Confirmation sound of various audio equipment.



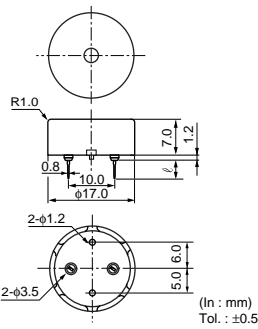
PKM13EPY-4002-B0



PKM17EPP-2002-B0



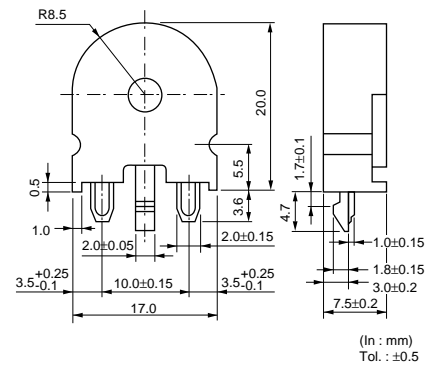
PKM17EPP-4001-B0



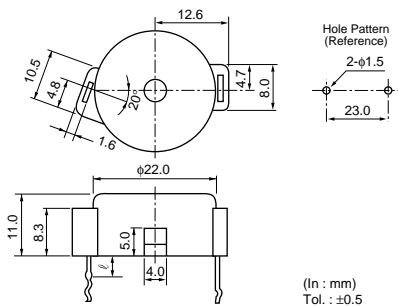
Part Number	ℓ
PKM17EPP-4001-B0	6.5
PKM17EPP-4002-B0	3.5



PKM17EPT-4001-B0



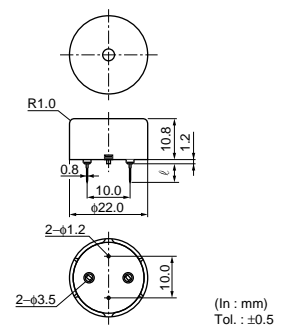
PKM22EP-2001



Part Number	ℓ
PKM22EP-2001	4.0
PKM22EP-2002	8.0
PKM22EP-2003	12.0



PKM22EPP-2001-B0



Part Number	ℓ
PKM22EPP-2001-B0	6.5
PKM22EPP-2002-B0	3.5

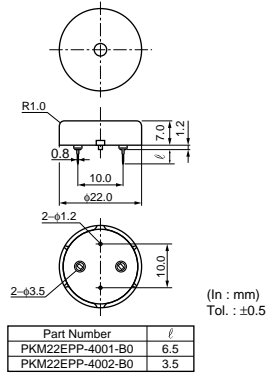
Continued on the following page. ↗

Continued from the preceding page.

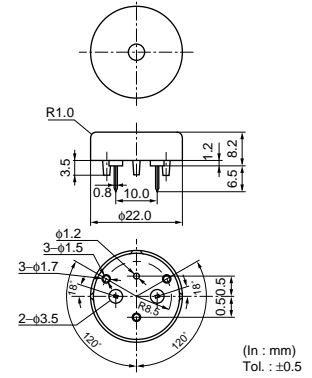
2



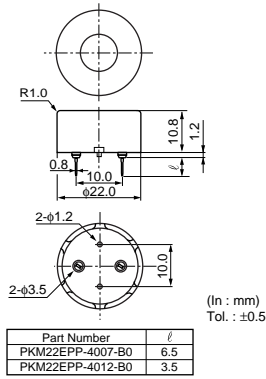
PKM22EPP-4001-B0



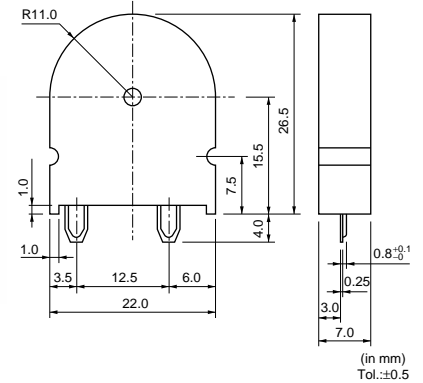
PKM22EPP-4005-B0



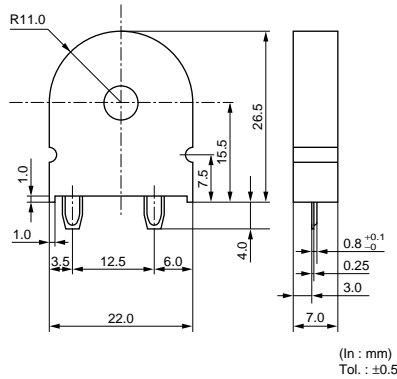
PKM22EPP-4007-B0



PKM22EPT-2001-B0



PKM22EPT-4001-B0



Part Number	Sound Pressure Level (dB)	Sound Pressure Level(Ref. only) (dB)	Operating Voltage Range (Vp-p)	Capacitance (nF)	Operating Temp. Range	Storage Temp. Range
<b>PKM13EPY-4002-B0</b>	70 min. [3Vp-p,4kHz,square wave,10cm]	70 min. [1Vrms,4kHz,sine wave,10cm]	25 max.	5.5 $\pm 30\%$ [1kHz]	-20 to +70°C	-30 to +80°C
<b>PKM17EPP-2002-B0</b>	70 min. [3Vo-p,2kHz,square wave,10cm]	70 min. [1Vrms,2kHz,sine wave,10cm]	25 Vo-p max. [with polarity]	34 $\pm 30\%$ [120Hz]	-20 to +70°C	-30 to +80°C
<b>PKM17EPP-4001-B0</b>	72 min. [3Vp-p,4kHz,square wave,10cm]	72 min. [1Vrms,4kHz,sine wave,10cm]	25 max.	7 $\pm 30\%$ [1kHz]	-20 to +70°C	-30 to +80°C
<b>PKM17EPT-4001-B0</b>	75 min. [3Vp-p,4kHz,square wave,10cm]	75 min. [1Vrms,4kHz,sine wave,10cm]	25 max.	9.5 $\pm 30\%$ [1kHz]	-20 to +70°C	-30 to +80°C
<b>PKM22EP-2001</b>	75 min. [3Vp-p,2kHz,square wave,10cm]	75 min. [1Vrms,2kHz,sine wave,10cm]	25 max.	17 $\pm 30\%$ [120Hz]	-20 to +70°C	-30 to +80°C
<b>PKM22EPP-2001-B0</b>	70 min. [3Vp-p,2kHz,square wave,10cm]	70 min. [1Vrms,2kHz,sine wave,10cm]	25 max.	19 $\pm 30\%$ [120Hz]	-20 to +70°C	-30 to +80°C
<b>PKM22EPP-4001-B0</b>	75 min. [3Vp-p,4kHz,square wave,10cm]	75 min. [1Vrms,4kHz,sine wave,10cm]	25 max.	12 $\pm 30\%$ [1kHz]	-20 to +70°C	-30 to +80°C
<b>PKM22EPP-4005-B0</b>	75 min. [3Vp-p,4kHz,square wave,10cm]	75 min. [1Vrms,4kHz,sine wave,10cm]	25 max.	12 $\pm 30\%$ [1kHz]	-20 to +70°C	-30 to +80°C
<b>PKM22EPP-4007-B0</b>	85 min. [3Vp-p,4kHz,square wave,10cm]	85 min. [1Vrms,4kHz,sine wave,10cm]	25 max.	12 $\pm 30\%$ [1kHz]	-20 to +70°C	-30 to +80°C

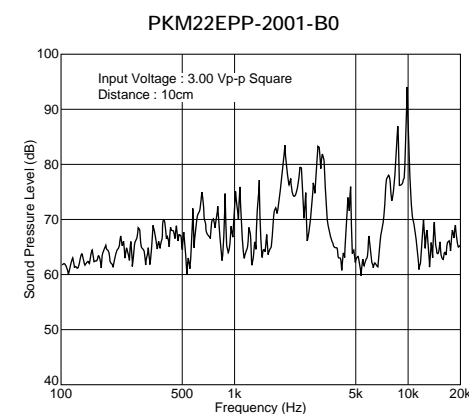
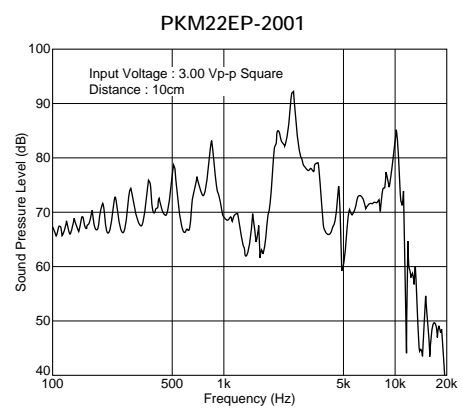
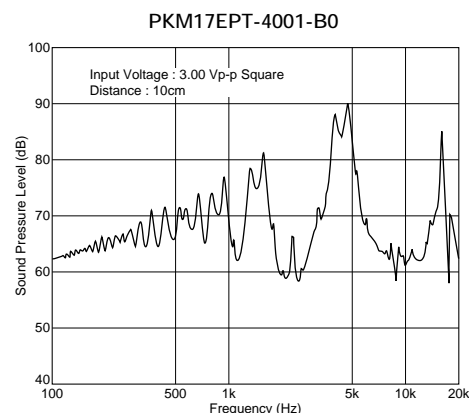
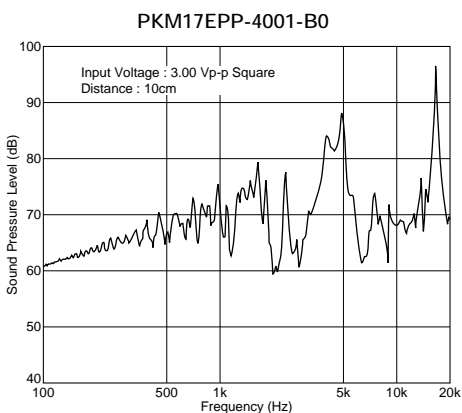
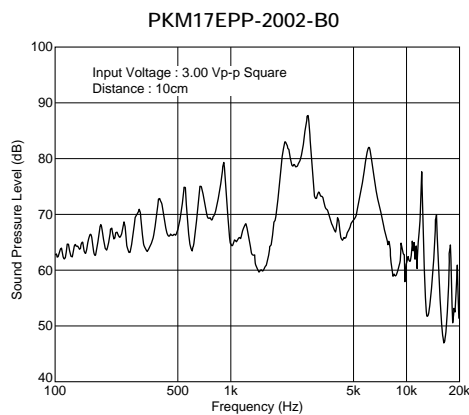
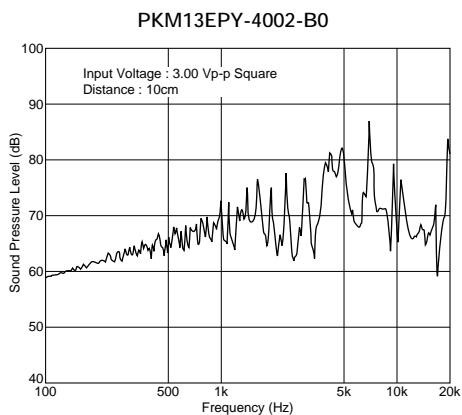
Continued on the following page. ↗

Continued from the preceding page.

Part Number	Sound Pressure Level (dB)	Sound Pressure Level(Ref. only) (dB)	Operating Voltage Range (Vp-p)	Capacitance (nF)	Operating Temp. Range	Storage Temp. Range
PKM22EPT-2001-B0	70 min. [3Vp-p,2kHz,square wave,10cm]	70 min. [1Vrms,2kHz,sine wave,10cm]	25 max.	19 ±30% [120Hz]	-20 to +70°C	-30 to +80°C
PKM22EPT-4001-B0	85 min. [3Vp-p,4kHz,square wave,10cm]	85 min. [1Vrms,4kHz,sine wave,10cm]	25 max.	10 ±30% [1kHz]	-20 to +70°C	-30 to +80°C

2

■ Freq. Response (Square Wave 3Vp-p, 10cm)

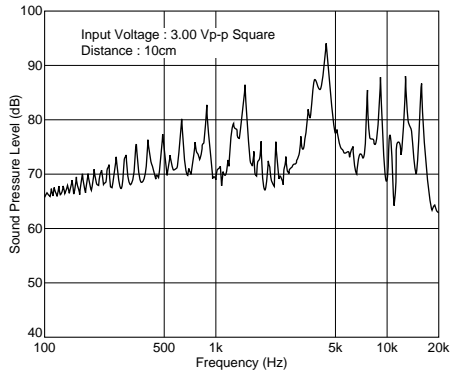


Continued on the following page.

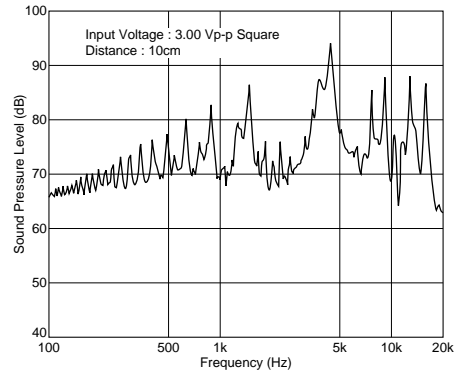
Continued from the preceding page.

### ■ Freq. Response (Square Wave 3Vp-p, 10cm)

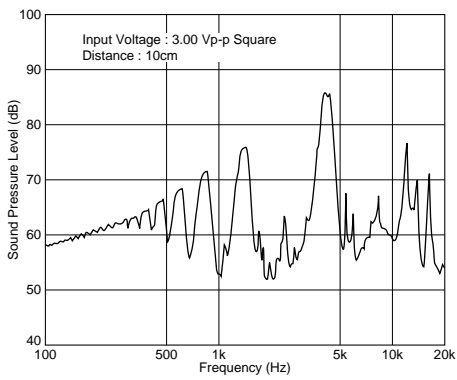
PKM22EPP-4001-B0



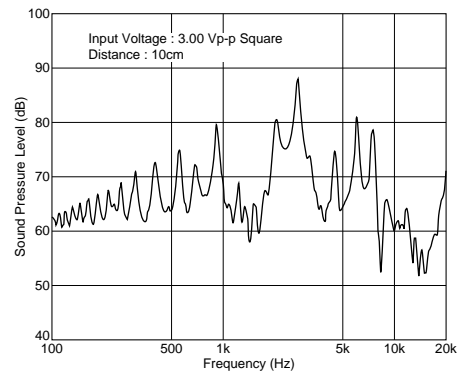
PKM22EPP-4005-B0



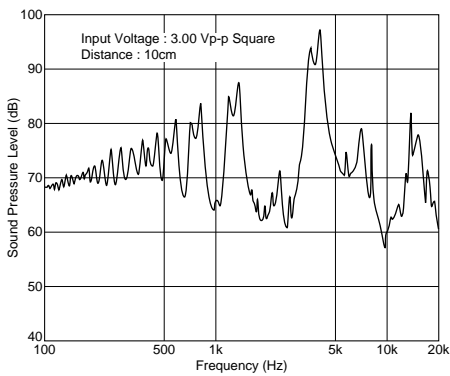
PKM22EPP-4007-B0



PKM22EPT-2001-B0

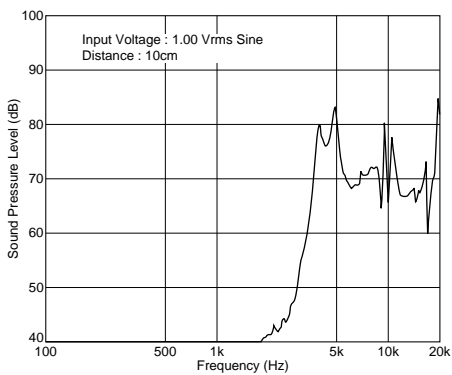


PKM22EPT-4001-B0

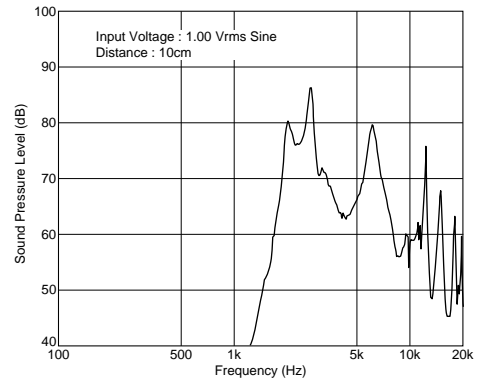


### ■ Freq. Response (Sine Wave 1Vrms, 10cm)

PKM13EPY-4002-B0



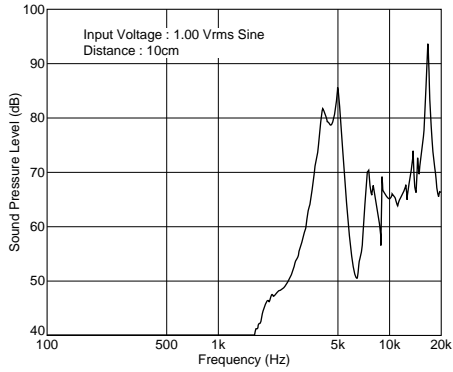
PKM17EPP-2002-B0



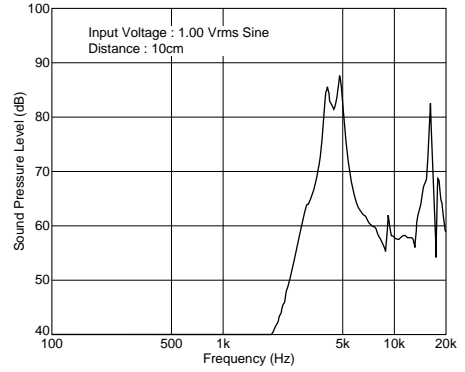
Continued from the preceding page.

**Freq. Response (Sine Wave 1Vrms, 10cm)**

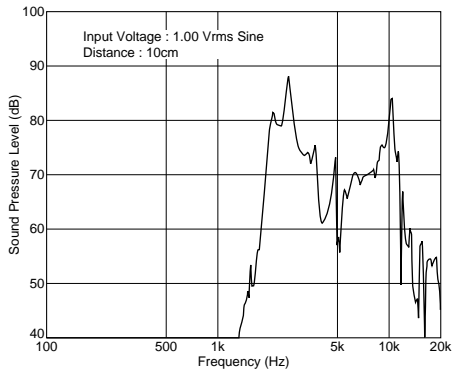
PKM17EPP-4001-B0



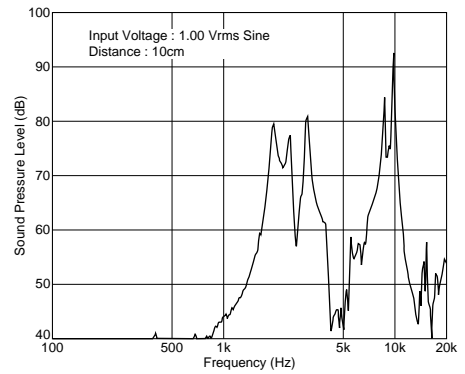
PKM17EPT-4001-B0



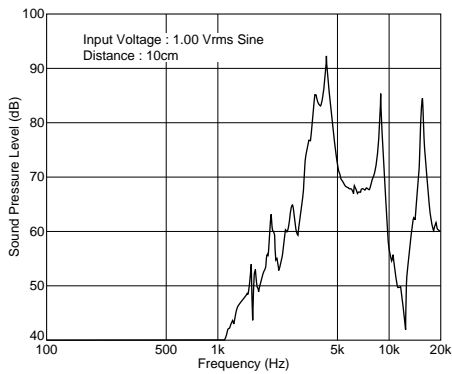
PKM22EP-2001



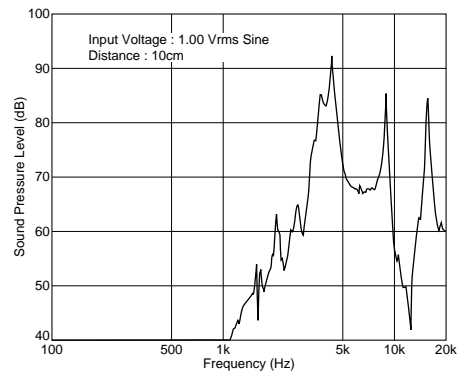
PKM22EPP-2001-B0



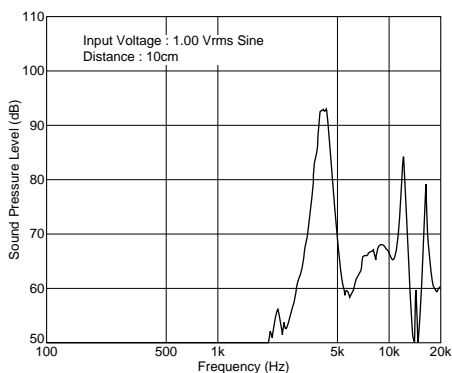
PKM22EPP-4001-B0



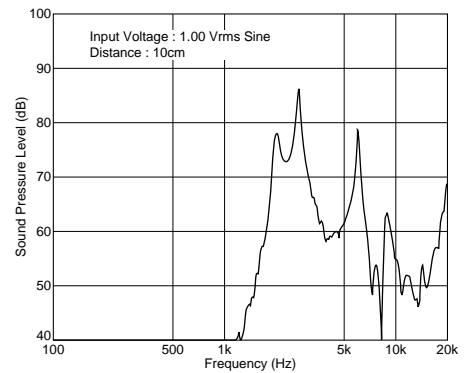
PKM22EPP-4005-B0



PKM22EPP-4007-B0



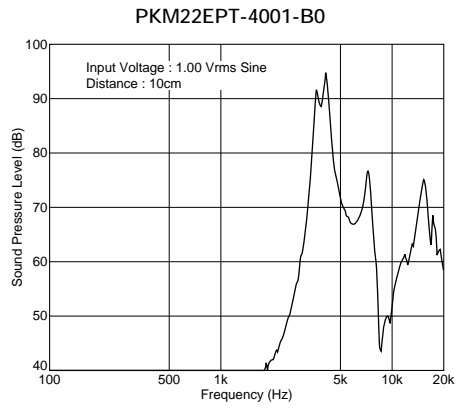
PKM22EPT-2001-B0



Continued on the following page.

Continued from the preceding page.

### ■ Freq. Response (Sine Wave 1Vrms, 10cm)



2

# Piezoelectric Sound Components



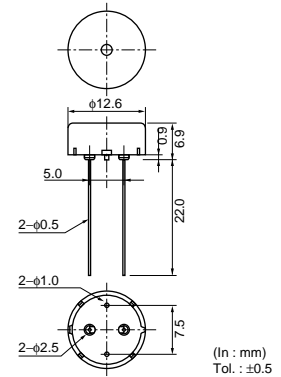
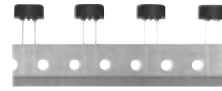
## Piezoelectric Sounders External Drive Pin Type Taping

Taking advantage of extensive automatic insertion designing technology and materials experience, Murata has developed standard taping type piezoelectric sounder.

This Murata technology supports labor and cost saving activities.

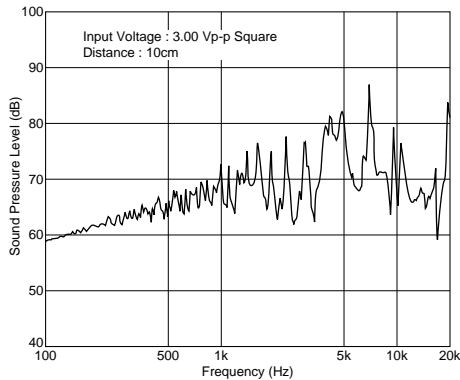
### ■ Features

1. High and stable mountability.
2. Ammo packaging.
3. Minimum quantity (order in sets only) : 500pcs.

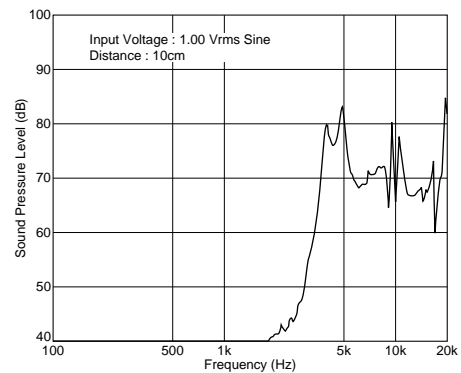


Part Number	Sound Pressure Level (dB)	Sound Pressure Level(Ref. only) (dB)	Operating Voltage Range (Vp-p)	Capacitance (nF)	Operating Temp. Range	Storage Temp. Range
<b>PKM13EPY-4000-A0</b>	70 min. [3Vp-p,4kHz,square wave,10cm]	70 min. [1Vrms,4kHz,sine wave,10cm]	25 max.	5.5 ±30% [1kHz]	-20 to +70°C	-30 to +80°C

### ■ Freq. Response (Square Wave 3Vp-p, 10cm)



### ■ Freq. Response (Sine Wave 1Vrms, 10cm)

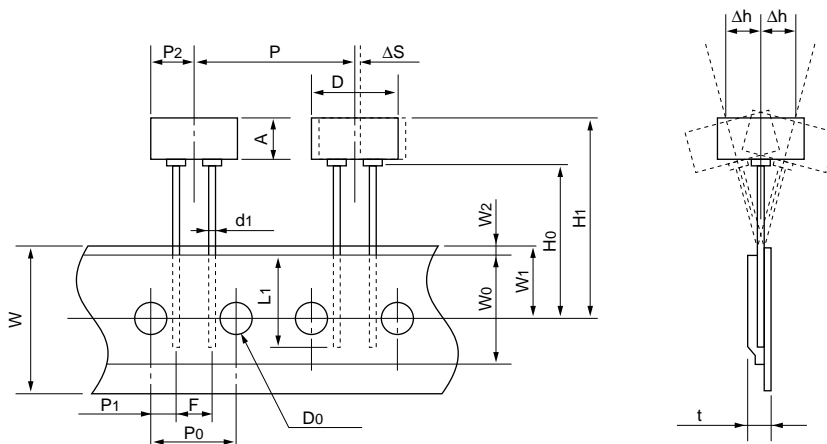


Continued on the following page.



Continued from the preceding page.

### Taping Dimension



Item	Code	Nominal value	Tol.	Remarks
Width of Diameter	D	$\phi 12.6$	$\pm 0.5$	
Height of Component	A	6.9	$\pm 0.5$	
Dimensions of Terminal	d1	$\phi 0.5$	$\pm 0.1$	
Lead length under The Hold down Tape	L1	8.0 min.	—	
Pitch of Component	P	25.4	$\pm 0.5$	
Pitch of Sprocket	P0	12.7	$\pm 0.2$	Tolerance for Pitches $10 \times P_0 = 127 \pm 2 \text{mm}$
Length from Hole Center to Lead	P1	3.85	$\pm 0.7$	
Length from Hole Center to Component Center	P2	6.35	$\pm 0.7$	
Lead Spacing	F	5.0	$\pm 0.5$	
Slant to The Forward or Backward	$\Delta h$	0	$\pm 1.0$	$360^\circ : 1 \text{mm max.}$
Width of Carrier Tape	W	18.0	$\pm 0.5$	
Width of Hold down Tape	W0	12.5 min.	—	Hold down tape does not exceed the carrier tape.
Position of Sprocket Hole	W1	9.0	$\pm 0.5$	
Gap of Hold Down Tape and Carrier Tape	W2	2.0 max.	—	
Distance Between The Center of Sprocket Hole and Lead Stopper	H0	18.0	$\pm 0.5$	
Total Height of Component	H1	26.0 max.	—	
Diameter of Sprocket Hole	D0	$\phi 4.0$	$\pm 0.2$	
Total Thickness of Tape	t	0.6	$\pm 0.2$	
Body Tilt	$\Delta S$	0	$\pm 1.0$	

(in mm)

# Piezoelectric Sound Components



## Piezoelectric Sounders External Drive Lead Wire Type

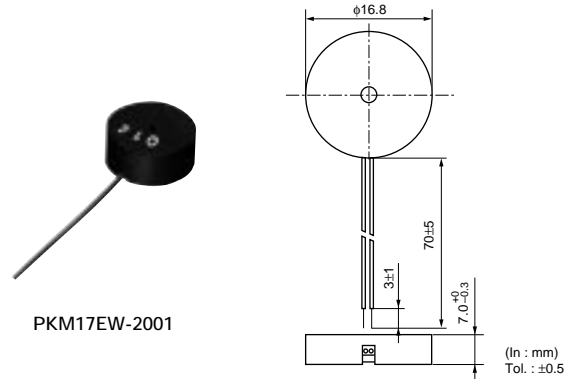
Now, microcomputers are widely used for microwave ovens, air conditioners, cars, toys, timers, and other alarm equipment. Externally driven piezoelectric sounders are used in digital watches, electronic calculators, telephones and other equipment. They are driven by a signal (ex, 2048Hz or 4096Hz) from an LSI and provide melodious sound.

### ■ Features

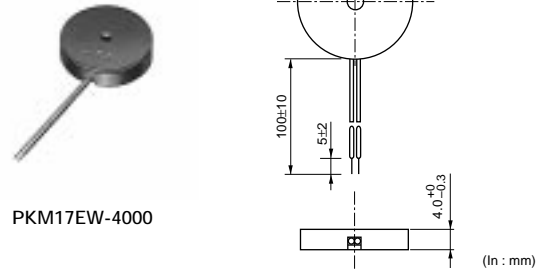
1. Low power consumption.
2. No contacts therefore, no noise and highly reliable.

### ■ Applications

- Telephone ringers.
- Various office equipment such as PPCs, printers and keyboards.
- Various home appliances such as microwave ovens.
- Confirmation sound of various audio equipment.



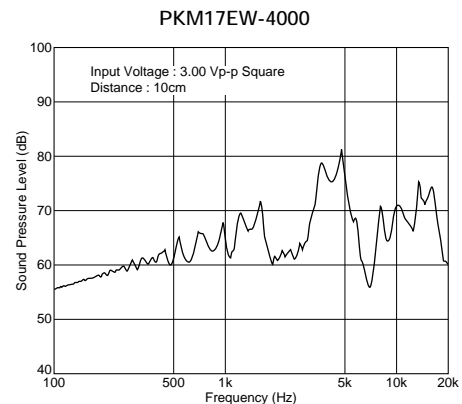
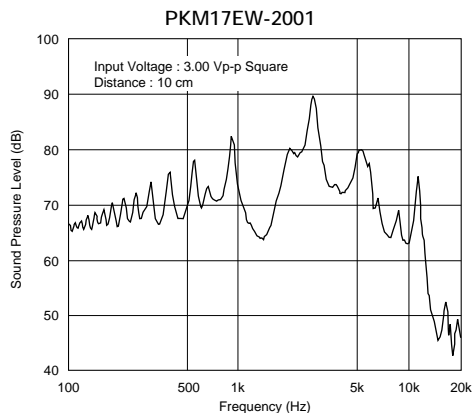
PKM17EW-2001



PKM17EW-4000

Part Number	Sound Pressure Level (dB)	Sound Pressure Level(Ref. only) (dB)	Operating Voltage Range (Vp-p)	Capacitance (nF)	Operating Temp. Range	Storage Temp. Range
<b>PKM17EW-2001</b>	72 min. [3Vp-p,2kHz,square wave,10cm]	70 min. [1Vrms,2kHz,sine wave,10cm]	7 max.	40 ±30% [120Hz]	-20 to +70°C	-30 to +80°C
<b>PKM17EW-4000</b>	75 min. [3Vp-p,4kHz,square wave,10cm]	70 min. [1Vrms,4kHz,sine wave,10cm]	25 max.	9.5 ±30% [1kHz]	-20 to +70°C	-30 to +80°C

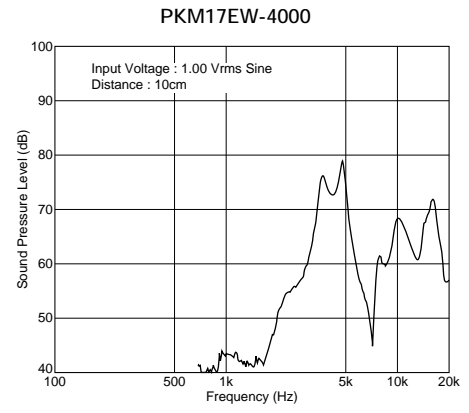
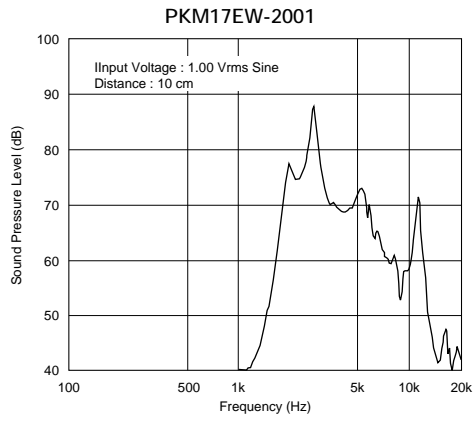
### ■ Freq. Response (Square Wave 3Vp-p, 10cm)



Continued on the following page.

Continued from the preceding page.

### ■ Freq. Response (Sine Wave 1Vrms, 10cm)



# Piezoelectric Sound Components

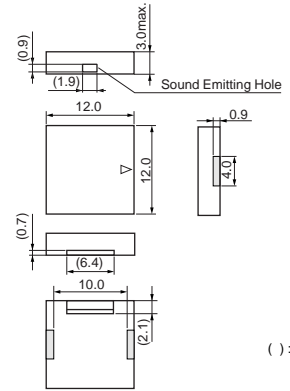


## Piezoelectric Sounders External Drive SMD Type

Taking advantage of extensive acoustic and mechanical designing technology and high performance ceramics, Murata has developed SMD piezoelectric sounder that suites thin, high-density design of electronic equipment.

### ■ Features

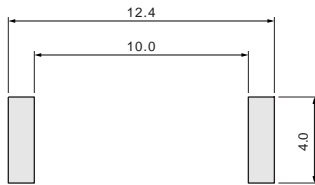
1. High S.P.L. and clear sound.
2. Reflowable.
3. Tape & Reel supply.
4. Minimum quantity (order in sets only):1,000 pcs.



( ) : Ref. only  
 Tol. ±0.2  
 in mm

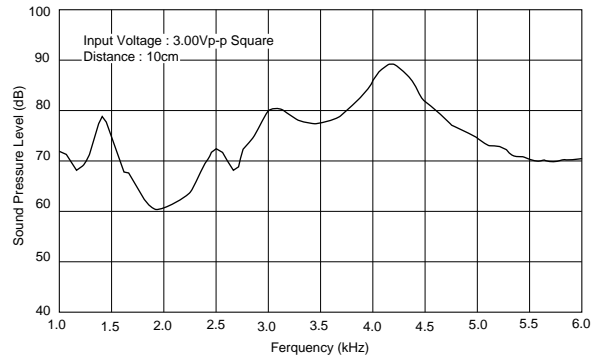
Part Number	Sound Pressure Level (dB)	Operating Voltage Range (Vp-p)	Operating Temp. Range	Storage Temp. Range
PKLCS1212E4001-R1	75 min. [3Vp-p,4kHz,square wave,10cm]	25 max.	-20 to +70°C	-30 to +80°C

### ■ Standard Land Pattern Dimensions

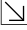


(in mm)

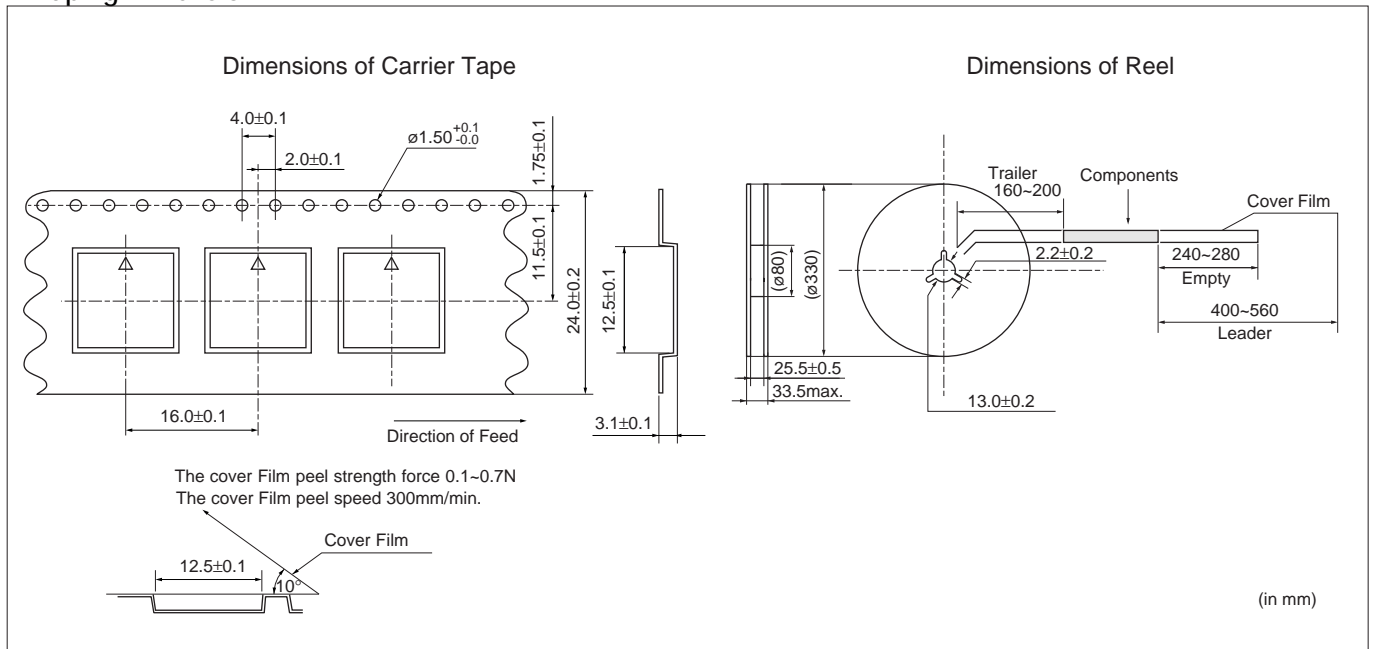
### ■ Freq. Response (Square Wave 3Vp-p, 10cm)



Continued on the following page.

 Continued from the preceding page.

## ■ Taping Dimension

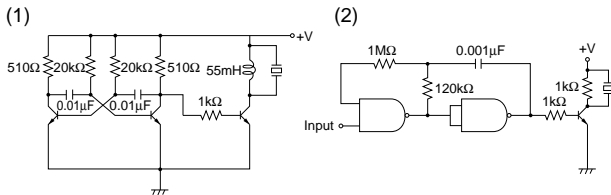


## Piezoelectric Sounders (External Drive) Circuit/Notice

### ■ Circuit

The following are examples of externally driven circuits.

- (1) Unstable multi-vibrator using Tr.
- (2) Circuits using inverters or NAND gates.

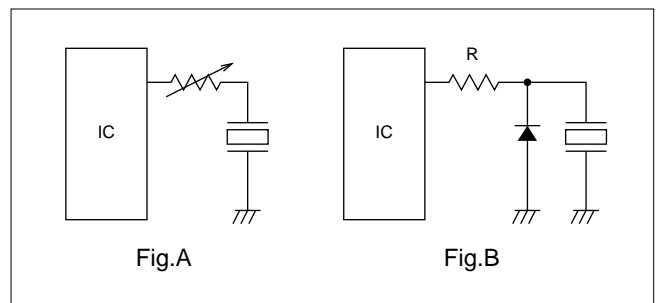


### ■ Notice (Soldering and Mounting)

Washing of the component is not acceptable, because it is not sealed.

### ■ Notice (Handling)

1. The component may be damaged if mechanical stress over this specification is applied.
2. Please pay attention to protect operating circuit from surge voltage provided by something of force such as falling, shock and temperature changing.
3. If DC voltage is applied to the component, silver migration may occur. Please pay full attention not to subject the component to DC voltage for long periods.
4. The resistor should be used as shown in Fig. A. A suitable resistance value should be chosen, preferably 1kΩ to 2kΩ. Instead of this measure, a diode may also be applied as shown in Fig. B.



5. Please pay enough attention not to pull lead wire too much because wire may be broken or soldering point may come off.

# Piezoelectric Sound Components



## Piezoelectric Ringers (PIEZORINGER®)

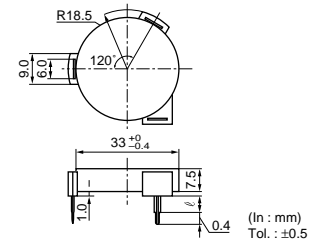
As the result of rapid development of ICs in telephones, demand for piezoelectric sounder as telephone ringers has also rapidly increased. To effectively satisfy this rising demand, Murata provides a suitable piezoelectric sounder called "PIEZORINGER", with the following features.

### ■ Features

1. Extremely clear sound.
2. Since it is voltage driven, the power consumption is quite negligible.
3. It can be driven directly from ICs.
4. Extremely thin and light.



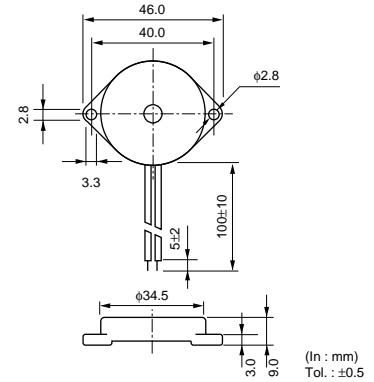
PKM33EP-1201C



Part Number	ℓ
PKM33EP-1201C	5.0
PKM33EP-1202C	0



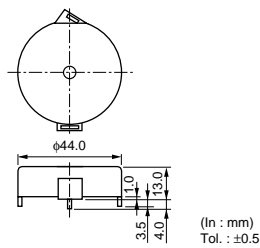
PKM34EW-1101C/1201C



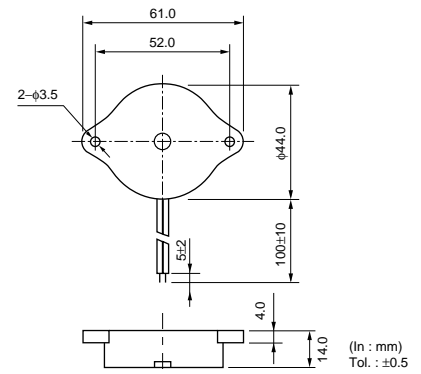
6



PKM44EP-0901



PKM44EW-1001C



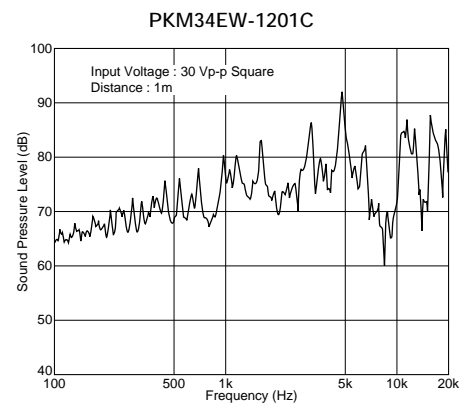
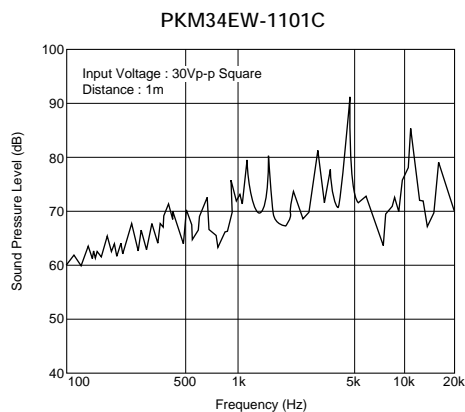
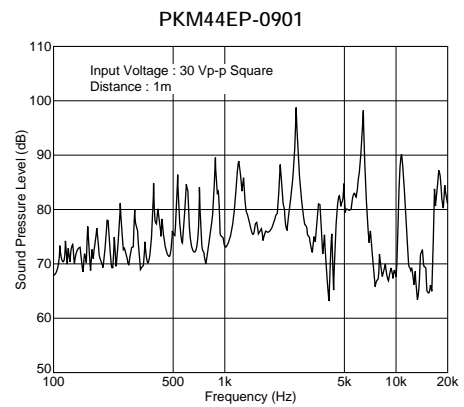
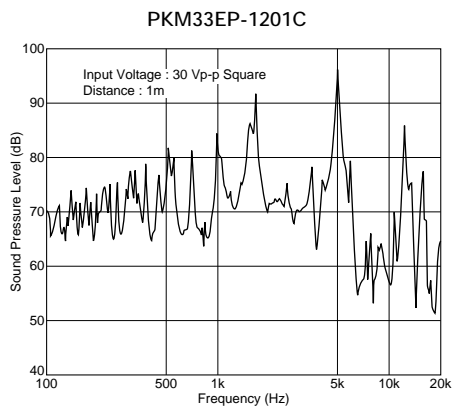
### Pin Type

Part Number	Sound Pressure Level (dB)	Sound Pressure Level(Ref. only) (dB)	Operating Voltage Range (Vp-p)	Capacitance (nF)	Operating Temp. Range	Storage Temp. Range
<b>PKM33EP-1201C</b>	68 min. [30Vp-p,1.2kHz,square wave,1m]	65 min. [1Vrms,1.2kHz,sine wave,10cm]	40 max.	40 ±30% [120Hz]	-20 to +70°C	-30 to +80°C
<b>PKM44EP-0901</b>	70 min. [30Vp-p,1kHz,square wave,1m]	60 min. [1Vrms,1kHz,sine wave,10cm]	40 max.	68 ±30% [120Hz]	-20 to +70°C	-30 to +80°C

### Lead Wire Type

Part Number	Sound Pressure Level (dB)	Sound Pressure Level(Ref. only) (dB)	Operating Voltage Range (Vp-p)	Capacitance (nF)	Operating Temp. Range	Storage Temp. Range
<b>PKM34EW-1101C</b>	70 min. [30Vp-p,1.1kHz,square wave,1m]	60 min. [1Vrms,1.1kHz,sine wave,10cm]	40 max.	40 ±30% [120Hz]	-20 to +70°C	-30 to +80°C
<b>PKM34EW-1201C</b>	70 min. [30Vp-p,1.2kHz,square wave,1m]	60 min. [1Vrms,1.2kHz,sine wave,10cm]	60 max.	32 ±30% [120Hz]	-20 to +70°C	-30 to +80°C
<b>PKM44EW-1001C</b>	75 min. [30Vp-p,1kHz,square wave,1m]	70 min. [1Vrms,1kHz,sine wave,10cm]	30 max.	68 ±30% [120Hz]	-20 to +70°C	-30 to +80°C

### ■ Freq. Response (Square Wave 30Vp-p, 1m)

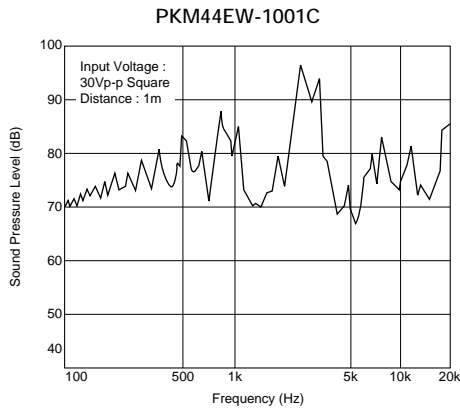


Continued on the following page.

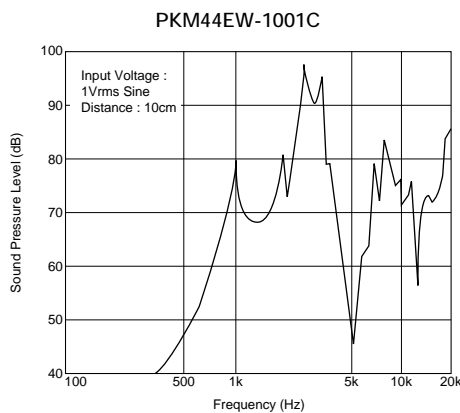
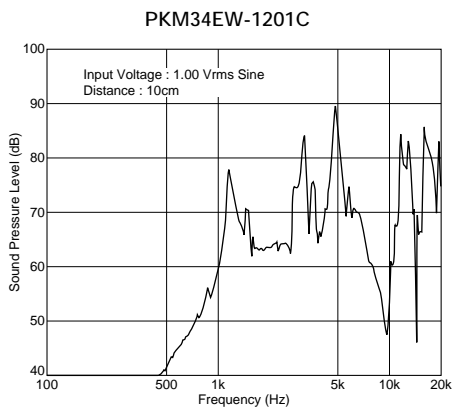
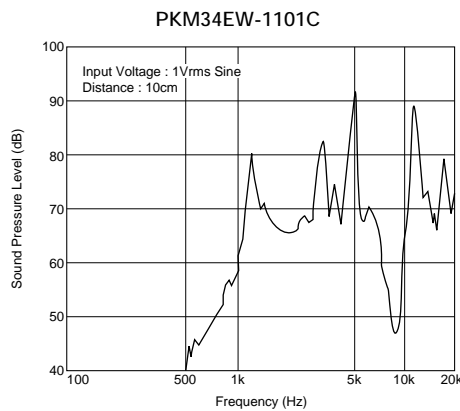
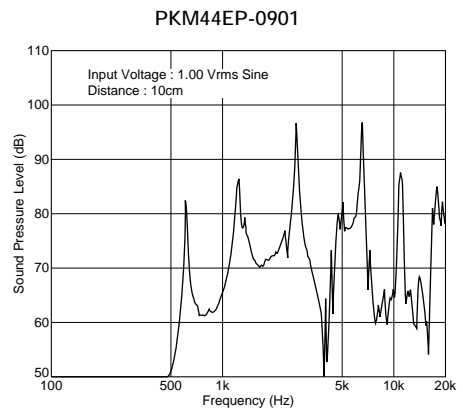
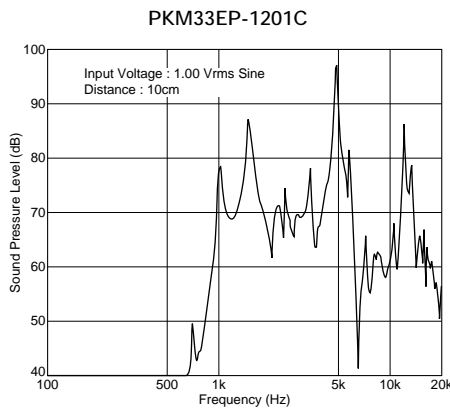


Continued from the preceding page.

**Freq. Response (Square Wave 30Vp-p, 1m)**



**Freq. Response (Sine Wave 1Vrms, 10cm)**



6

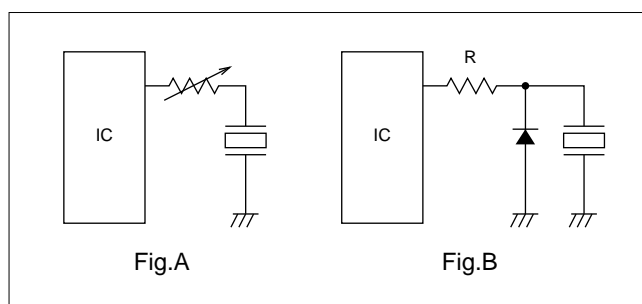
## Piezoelectric Ringers (PIEZORINGER®) Notice

### ■ Notice (Soldering and Mounting)

Washing of the component is not acceptable, because it is not sealed.

### ■ Notice (Handling)

1. The component may be damaged if mechanical stress over this specification is applied.
2. Please pay attention to protect operating circuit from surge voltage provided by something of force such as falling, shock and temperature changing.
3. If DC voltage is applied to the component, silver migration may occur. Please pay full attention not to subject the component to DC voltage for long periods.
4. The resistor should be used as shown in Fig. A.  
A suitable resistance value should be chosen, preferably  $1\text{k}\Omega$  to  $2\text{k}\Omega$ . Instead of this measure, a diode may also be applied as shown in Fig. B.



5. Please pay enough attention not to pull lead wire too much because wire may be broken or soldering point may come off.

# Piezoelectric Sound Components

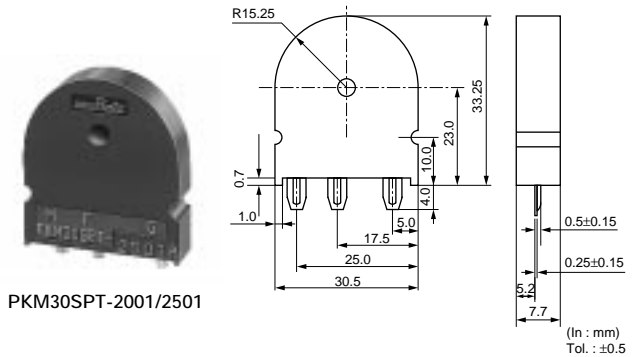


## Piezoelectric Sounders Self Drive Pin Type

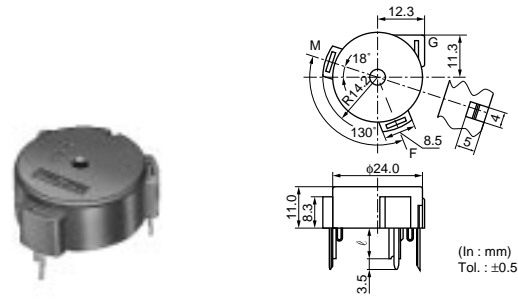
Piezoelectric sounder self drive type requires only simple circuit and DC power supply. Since this type uses resonant system, it is also available for alarms which need large sound volume.

### Applications

- Gas alarms, burglar alarms, smoke detectors.
- Air conditioners, Microwave ovens, washing machines and other home-electronic appliance controlled by microcomputer.
- Bicycles, toys, game machines.



PKM30SPT-2001/2501

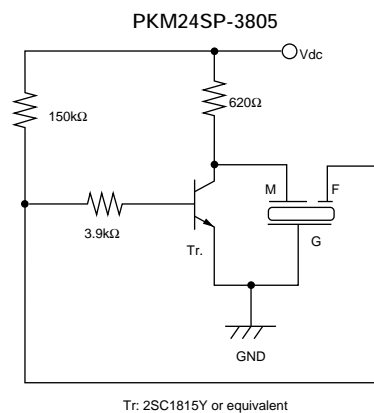
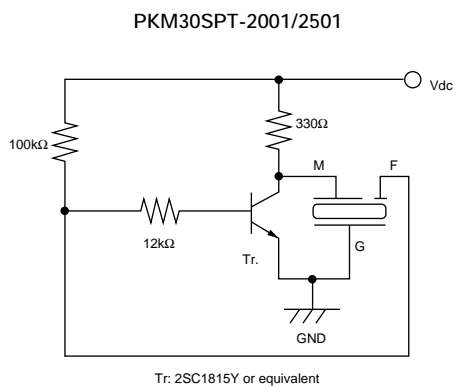


PKM24SP-3805

Part Number	ℓ
PKM24SP-3805	4.0
PKM24SP-3810	8.0
PKM24SP-3807	12.0
PKM24SP-3801	14.0

Part Number	Sound Pressure Level (dB)	Oscillating Frequency (kHz)	Current Consumption (mA)	Operating Voltage Range (Vdc)	Operating Temp. Range	Storage Temp. Range
<b>PKM24SP-3805</b>	90 min. [12Vdc,10cm]	3.8 ±0.4kHz [12Vdc]	12 max. [12Vdc]	3.0 to 20.0	-20 to +70°C	-30 to +80°C
<b>PKM30SPT-2001-B0</b>	75 min. [12Vdc,10cm]	2.0 ±0.3kHz [12Vdc]	20 max. [12Vdc]	3.0 to 20.0	-20 to +70°C	-30 to +80°C
<b>PKM30SPT-2501-B0</b>	75 min. [12Vdc,10cm]	2.5 ±0.3kHz [12Vdc]	20 max. [12Vdc]	3.0 to 20.0	-20 to +70°C	-30 to +80°C

### Standard Circuit Examples



## Piezoelectric Sounders (Self Drive) Notice

### ■ Notice (Soldering and Mounting)

1. Washing of the component is not acceptable, because it is not sealed.
2. Please do not cover the hole with tape or other obstacle as this will produce irregular oscillation.
3. There should not be any obstacle within 15mm from top of the component as this will produce irregular oscillation.

### ■ Notice (Handling)

1. The component may be damaged if mechanical stress over this specification is applied.
2. Please pay attention to protect operating circuit from surge voltage provided by something of force such as falling, shock and temperature changing.
3. If DC voltage is applied to the component, silver migration may occur. Please pay full attention not to subject the component to DC voltage for long periods.
4. The standard self-driven circuits utilizes transistor switching. The circuit constants shown in the table below are optimally chosen to maintain stable oscillation. So please follow it when you design a circuit.

# Piezoelectric Sound Components



## Piezoelectric Buzzers

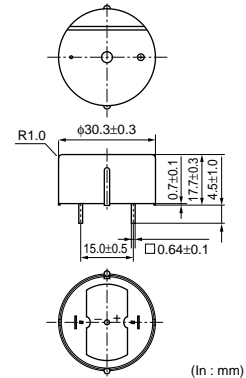
This is unified piezoelectric sounder which has piezoelectric diaphragm of 3 terminals connected to self drive circuit, and it easily generates sound with only a DC power supply (DC3.0-20V). Using suitably designed resonant system, this type can be used where large sound volumes are needed.

### ■ Applications

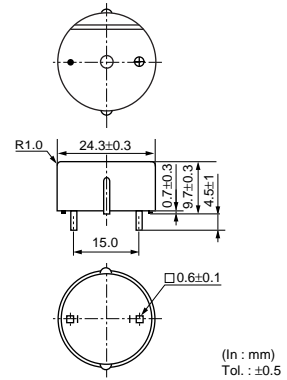
- Gas alarms, burglar alarms.
- Air conditioners, microwave ovens and various types of microcomputer controlled home-electronic appliances.
- Automobile speed alarms, navigators, car stereos and other automobile equipment.
- Toys, games, and other simple electronic devices such as teaching aids.



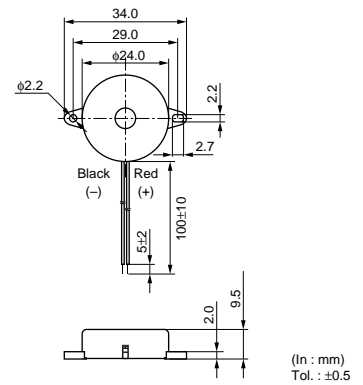
PKB30SPC-2001/3001



PKB24SPC-3601



PKB24SW-3301



## Pin Type

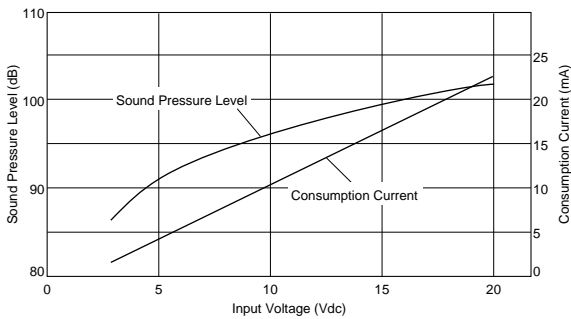
Part Number	Sound Pressure Level (dB)	Oscillating Frequency (kHz)	Current Consumption (mA)	Operating Voltage Range (Vdc)	Operating Temp. Range	Storage Temp. Range
<b>PKB30SPC-2001-B0</b>	92 min. [12Vdc,10cm]	2.0 ±0.4kHz [12Vdc]	15 max. [12Vdc]	3.0 to 15.0	-20 to +70°C	-30 to +80°C
<b>PKB30SPC-3001-B0</b>	92 min. [12Vdc,10cm]	2.7 ±0.4kHz [12Vdc]	15 max. [12Vdc]	3.0 to 15.0	-20 to +70°C	-30 to +80°C
<b>PKB24SPC-3601-B0</b>	90 min. [12Vdc,10cm]	3.6 ±0.5kHz [12Vdc]	16 max. [12Vdc]	3.0 to 15.0	-20 to +70°C	-30 to +80°C

## Lead Wire Type

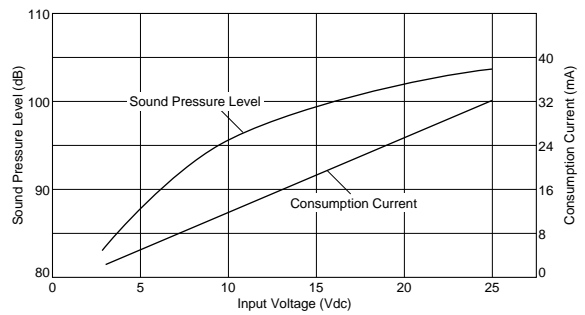
Part Number	Sound Pressure Level (dB)	Oscillating Frequency (kHz)	Current Consumption (mA)	Operating Voltage Range (Vdc)	Operating Temp. Range	Storage Temp. Range
<b>PKB24SW-3301</b>	80 min. [12Vdc,10cm]	3.3 ±0.5kHz [12Vdc]	12 max. [12Vdc]	3.0 to 20.0	-20 to +70°C	-30 to +80°C

### ■ Voltage-Sound Pressure Level/Voltage-Consumption Current

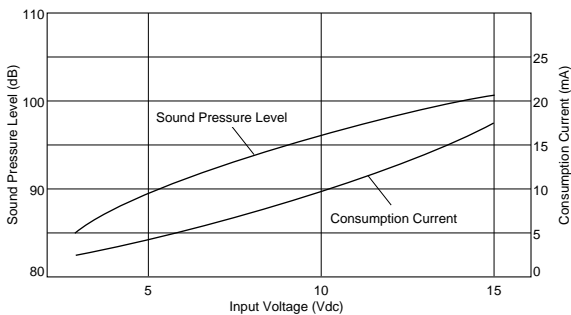
PKB30SPC-2001



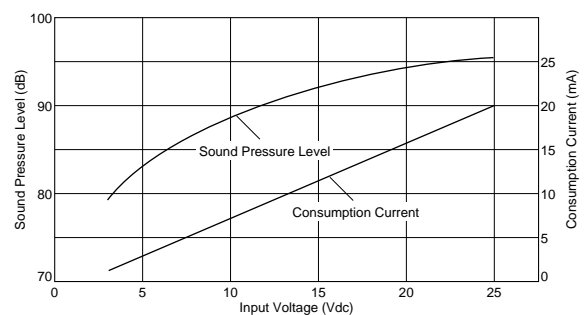
PKB30SPC-3001



PKB24SPC-3601



PKB24SW-3301



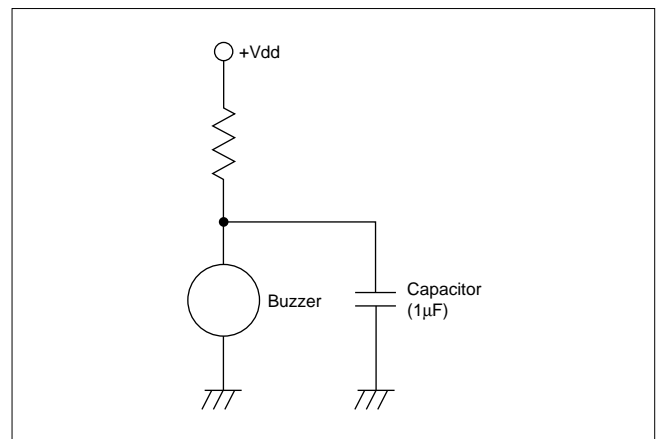
## Piezoelectric Buzzers Notice

### ■ Notice (Soldering and Mounting)

1. Washing of the component is not acceptable, because it is not sealed.
2. Please do not cover the hole with tape or other obstacle as this will produce irregular oscillation.
3. There should not be any obstacle within 15mm from top of the component as this will produce irregular oscillation.

### ■ Notice (Handling)

1. The component may be damaged if mechanical stress over this specification is applied.
2. Resistors should not be connected in series to the power supply as this will produce irregular oscillation. When resistor is necessary to control sound volume, use capacitor (1 $\mu$ F) parallel with the buzzer together.

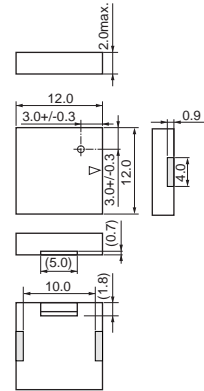
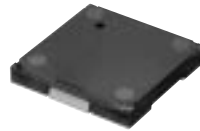


# Piezoelectric Sound Components



## Piezoelectric Receiver

Taking advantage of extensive acoustic, mechanical designing technology and high performance ceramics, Murata has developed SMD piezoelectric receiver. This Murata technology supports labor and cost saving activities.



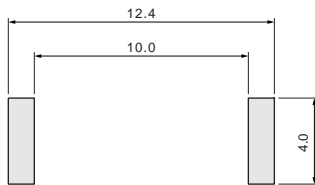
( ) : Ref. only  
 Tol. ±0.2  
 in mm

### ■ Features

1. Thin shape, light weight.
2. Low current consumption and good matching impedance for a voltage drive.
3. Reflowable.
4. Tape & Reel supply.
5. Minimum quantity (order in sets only):1,500 pcs.

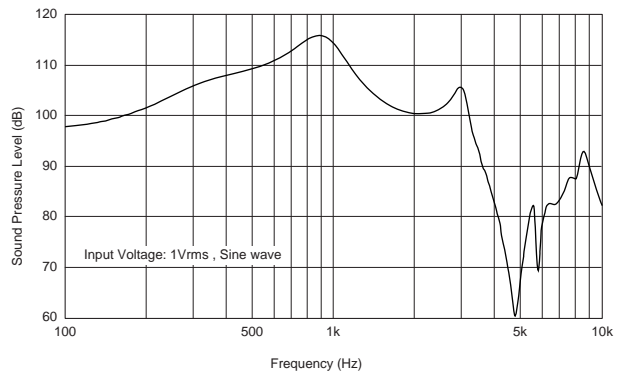
Part Number	Sound Pressure Level(1) (dB)	Sound Pressure Level(2) (dB)	Operating Voltage Range (Vp-p)	Operating Temperature Range	Storage Temperature Range
PKLCD1212R1000-R1	106.0 +4.0/-2.5 [at 300Hz]	114.0 +2.5/-4.0 [at 1kHz]	7 max.	-20 to +70°C	-30 to +80°C

### ■ Standard Land Pattern Dimensions



(in mm)

### ■ Freq. Response (Sine Wave 1Vrms)

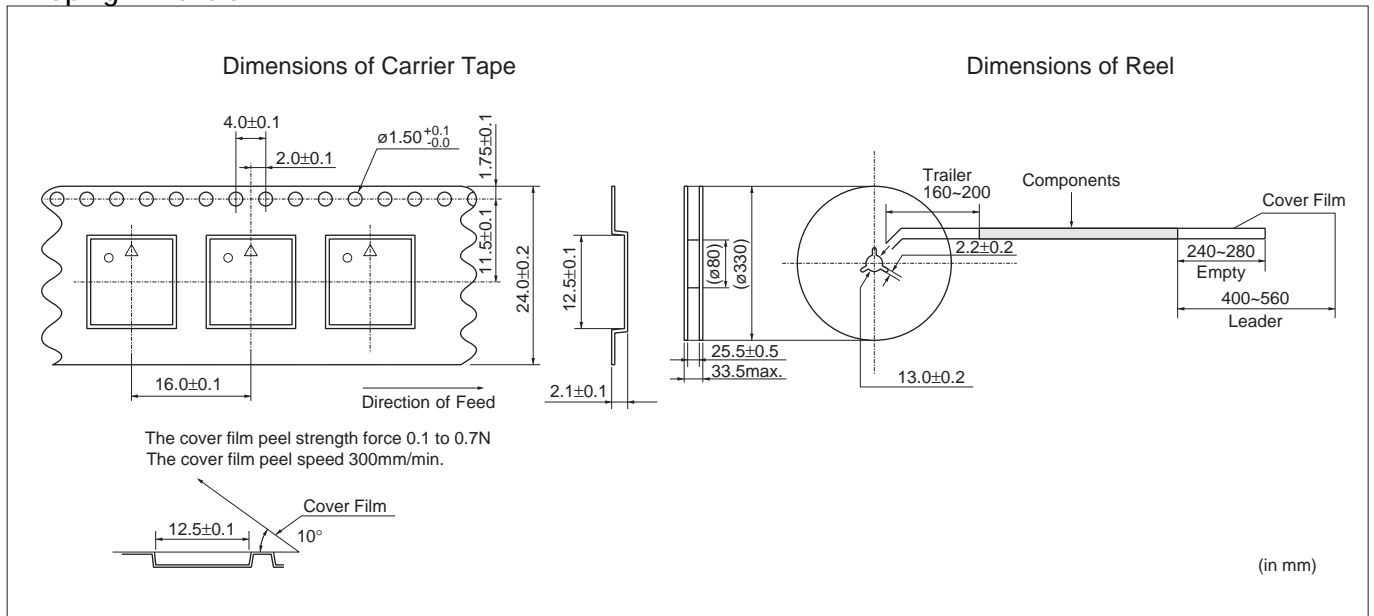


Continued on the following page.



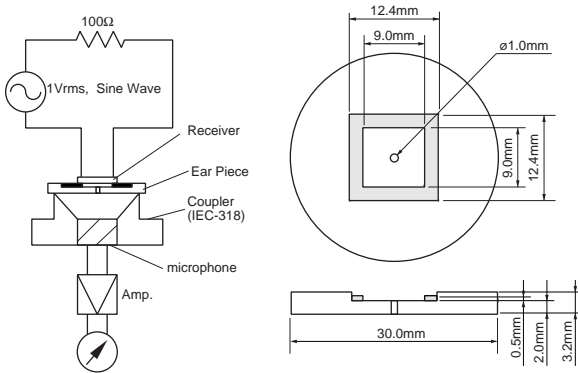
Continued from the preceding page.

## Taping Dimension



## Piezoelectric Receiver Circuit/Notice

### ■ Circuit



### ■ Notice (Soldering and Mounting)

Washing of the component is not acceptable, because it is not sealed.

### ■ Notice (Handling)

1. The component may be damaged if mechanical stress over this specification is applied.
2. Please pay attention to protect operating circuit from surge voltage provided by something of force such as falling, shock and temperature changing.
3. If DC voltage is applied to the component, silver migration may occur. Please pay full attention not to subject the component to DC voltage for long periods.
4. Please pay attention to the hand set design. Sound pressure level - frequency characteristics are affected by the hand set design. (Blocking the sound emitting hole or air dumping hole may degrade S.P.L. -frequency characteristics. To dispose other components or obstacle close to the holes may also affect the characteristics.)

# Piezoelectric Sound Components

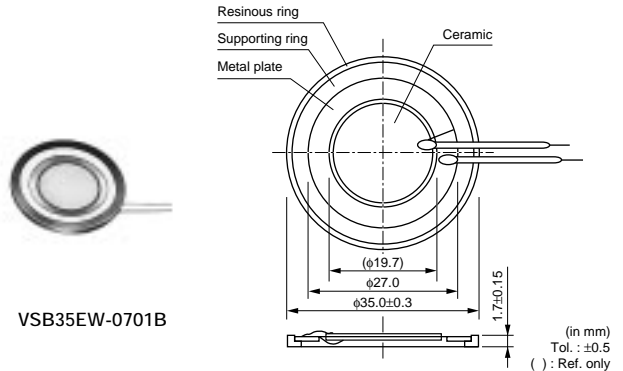


## Piezoelectric Speakers (CERAMITONE®)

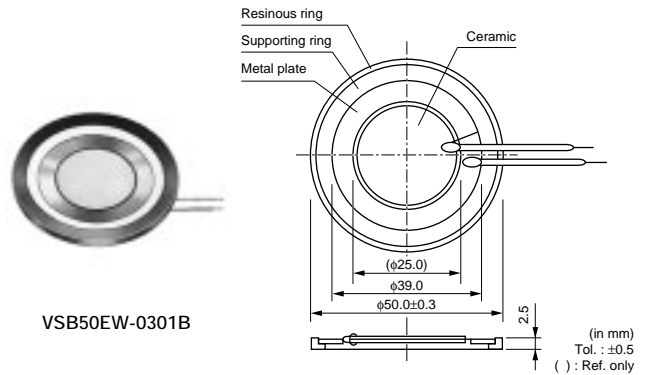
As voice synthesizing techniques with ICs and LSIs are rapidly progressed, human voice synthesizing devices are put into practical use for portable calculators, clocks, vending machines, translating machines and so forth. In order to meet the demand, Murata has developed. Piezoelectric Speaker best suited for making synthesized voice or melody.

### ■ Features

1. High efficiency compared with conventional electromagnetic type speakers.
2. Ultra-thin and light-weight.
3. High impedance with less power consumption.
4. No electric noise, because they have no mechanical contacts.
5. Direct drive by IC is available.



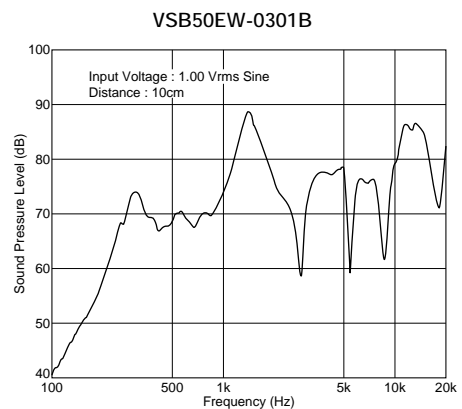
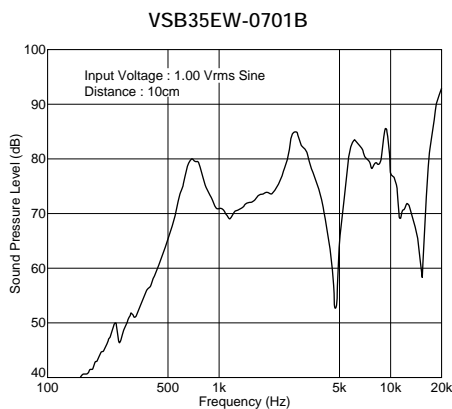
VSB35EW-0701B



VSB50EW-0301B

Part Number	Oscillating Frequency Range	Resonant Frequency (Hz)	Impedance (ohm)	Capacitance (nF)	Maximum Input (mW)	Operating Temperature Range	Storage Temperature Range
VSB35EW-0701B	600Hz to 20kHz	950 ±150Hz[Lowest]	600[1kHz]	340 ±35%[120Hz]	75	-20 to +70°C	-30 to +80°C
VSB50EW-0301B	250Hz to 20kHz	400 ±150Hz[Lowest]	300[1kHz]	600 ±35%[120Hz]	150	-20 to +70°C	-30 to +80°C

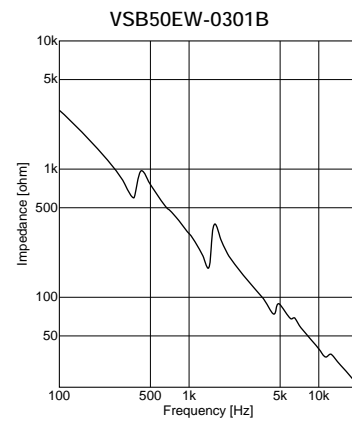
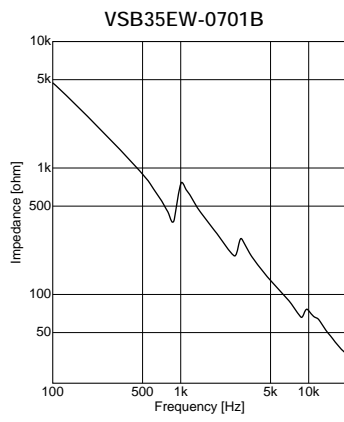
### ■ Freq. Response (Sine Wave 1Vrms, 10cm)



Continued on the following page.

Continued from the preceding page.

### Impedance-Frequency Characteristics



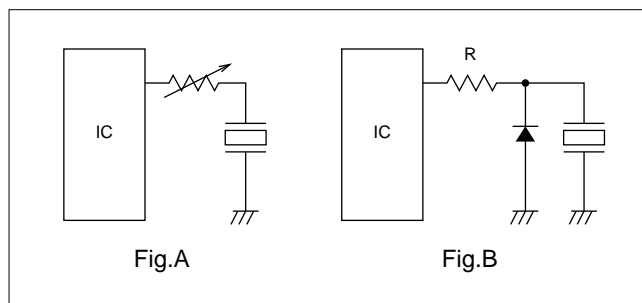
## Piezoelectric Speakers (CERAMITONE®) Notice

### ■ Notice (Soldering and Mounting)

1. Applying load on the center area of the speaker may cause clack in the ceramic element. When the speaker is supported by edge, the load should be only applied around edge.
2. Washing of the component is not acceptable, because it is not sealed.

### ■ Notice (Handling)

1. Please do not touch the component with bare hand because electrode may be corroded.
2. The component may be damaged if mechanical stress over this specification is applied.
3. Please pay attention to protect operating circuit from surge voltage provided by something of force such as falling, shock and temperature changing.
4. If DC voltage is applied to the component, silver migration may occur. Please pay full attention not to subject the component to DC voltage for long periods.
5. The resistor should be used as shown in Fig. A. A suitable resistance value should be chosen, preferably  $1\text{k}\Omega$  to  $2\text{k}\Omega$ . Instead of this measure, a diode may also be applied as shown in Fig. B.



6. Please pay enough attention not to pull lead wire too much because wire may be broken or soldering point may come off.

**Package**

**Minimum Quantity (pcs.)**

Products Name	Part Number	Minimum Quantity (pcs.)				
		ø330mmReel	Bulk (Box)	Ammo Pack	Magazine	
● Piezoelectric Diaphragms External Drive Type	7BB-12-9		5120			
	7BB-15-6		8000			
	7BB-20-3		3000			
	7BB-20-4		2400			
	7BB-20-6		1800			
	7BB-20-6A0		600			
	7BB-27-4		1500			
	7BB-27-4A0		600			
	7BB-35-3		800			
	7BB-35-3A0		400			
	7BB-41-2		400			
	7BB-41-2A0		250			
	7BB-50M-1		600			
	7SB-20-7		1800			
	Self Drive Type	7BB-20-6C		1800		
		7BB-20-6CA0		600		
		7BB-27-3C		2400		
		7BB-27-4C		1500		
		7BB-27-4CA0		600		
		7BB-35-3C		800		
		7BB-35-3CA0		400		
		7BB-41-2C		600		
		7BB-41-2CA0		250		
		7NB-27-2C		3000		
		7NB-27-3C		3000		
		7NB-27-4C		3000		
7SB-34R7-3C			1600			
● Piezoelectric Sounders External Drive Type		PKM13EPY-4000-A0			500	
	PKM13EPY-4002-B0		330			
	PKM17EPP-2002-B0		200			
	PKM17EPP-4001-B0		200			
	PKM17EPT-4001-B0		180		70*	
	PKM17EW-2001		250			
	PKM22EP-2001		360			
	PKM22EPP-2001-B0		750			
	PKM22EPP-4001-B0		900			
	PKM22EPP-4005-B0		750			
	PKM22EPP-4007-B0		750			
	PKM22EPT-2001-B0		300		75*	
	PKM22EPT-4001-B0		300			
	PKM17EW-4000		500			
	PKLCS1212E4001-R1	1000				
	Self Drive Type	PKM24SP-3805		360		
		PKM30SPT-2001-B0		70		
		PKM30SPT-2501-B0		70		
	● Piezoelectric Buzzers	PKB24SPC-3601-B0		650		
PKB24SW-3301			200			
PKB30SPC-2001-B0			80			
PKB30SPC-3001-B0			80			
● Piezoelectric Ringers (PIEZORINGER®)	PKM33EP-1201C		300			
	PKM34EW-1101C		25			
	PKM34EW-1201C		25			
	PKM44EP-0901		160			
	PKM44EW-1001C		25			
● Piezoelectric Receiver	PKLCD1212R1000-R1	1500				
● Piezoelectric Speakers (CERAMITONE®)	VSB35EW-0701B		160			
	VSB50EW-0301B		80			

\*The last two digits are changed to M0.

**⚠ Note:**

1. Export Control

⟨For customers outside Japan⟩

Murata products should not be used or sold for use in the development, production, stockpiling or utilization of any conventional weapons or mass-destructive weapons (nuclear weapons, chemical or biological weapons, or missiles), or any other weapons.

⟨For customers in Japan⟩

For products which are controlled items subject to the "Foreign Exchange and Foreign Trade Law" of Japan, the export license specified by the law is required for export.

2. Please contact our sales representatives or product engineers before using our products listed in this catalog for the applications listed below which require especially high reliability for the prevention of defects which might directly cause damage to the third party's life, body or property, or when intending to use one of our products for other applications than specified in this catalog.

- ① Aircraft equipment
- ② Aerospace equipment
- ③ Undersea equipment
- ④ Power plant equipment
- ⑤ Medical equipment
- ⑥ Transportation equipment (vehicles, trains, ships, etc.)
- ⑦ Traffic signal equipment
- ⑧ Disaster prevention / crime prevention equipment
- ⑨ Data-processing equipment
- ⑩ Application of similar complexity and/or reliability requirements to the applications listed in the above

3. Product specifications in this catalog are as of January 2002. They are subject to change or our products in it may be discontinued without advance notice. Please check with our sales representatives or product engineers before your ordering. If there are any questions, please contact our sales representatives or product engineers.

4. Please read CAUTION and Notice in this catalog for safety. This catalog has only typical specifications. Therefore you are requested to approve our product specification or to transact the approval sheet for product specification, before your ordering.

5. Please note that unless otherwise specified, we shall assume no responsibility whatsoever for any conflict or dispute that may occur in connection with the effect of our and/or third party's intellectual property rights and other related rights in consideration of your using our products and/or information described or contained in our catalogs. In this connection, no representation shall be made to the effect that any third parties are authorized to use the rights mentioned above under licenses without our consent.

6. None of ozone depleting substances (ODS) under the Montreal Protocol is used in manufacturing process of us.