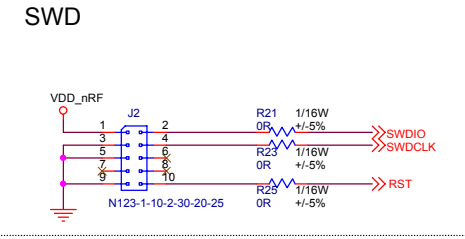
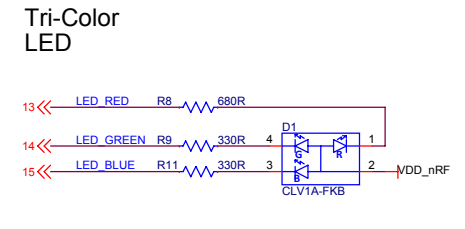
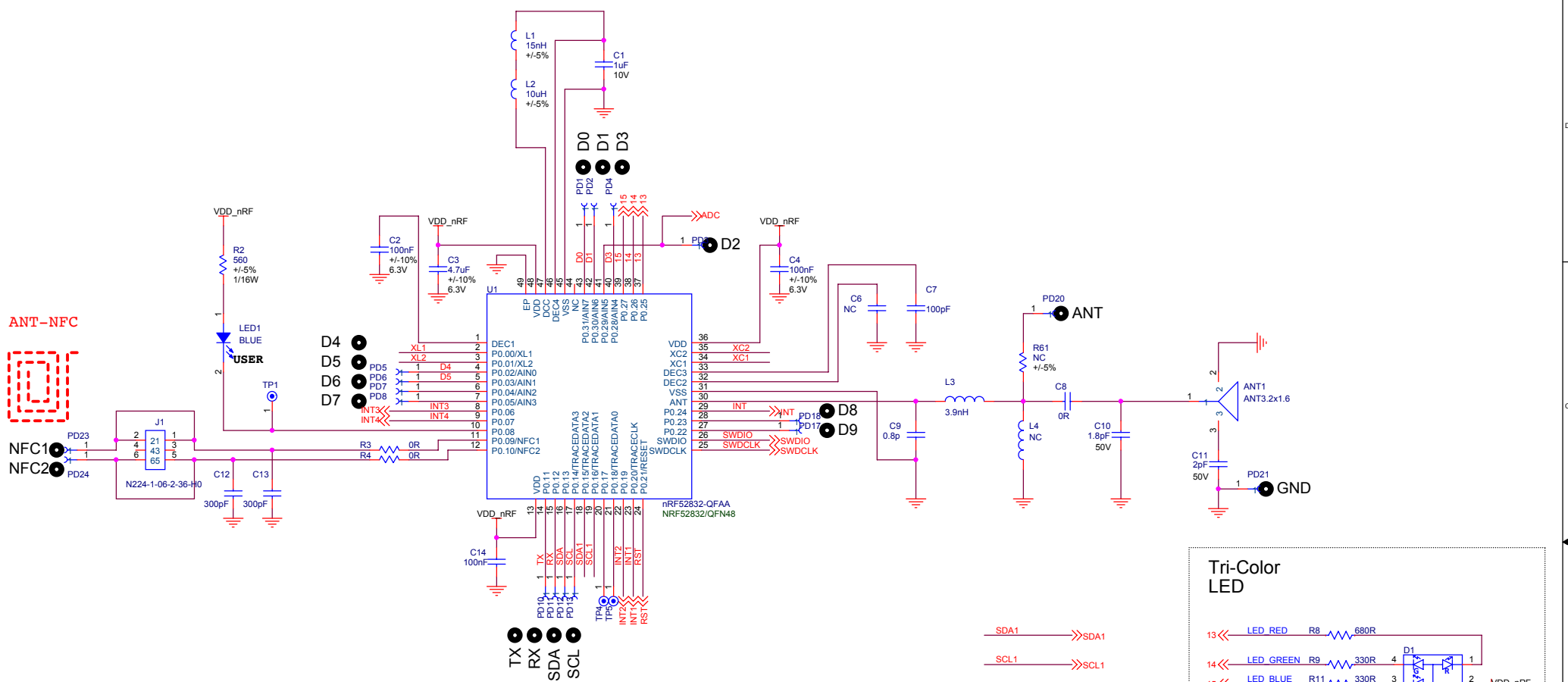


ANT-NFC



NFC1  
NFC2



dog hunter logo and title block information including document number ARDUINO Primo Core and revision 0.2.

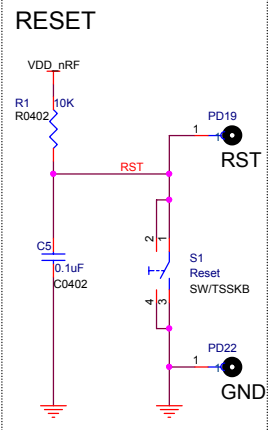
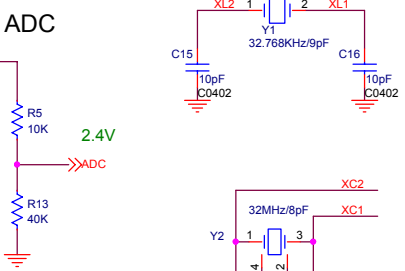
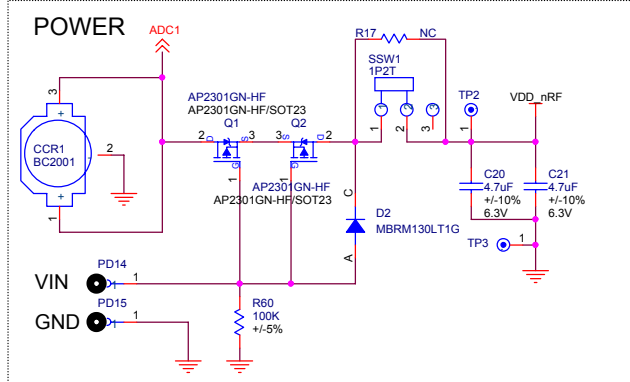
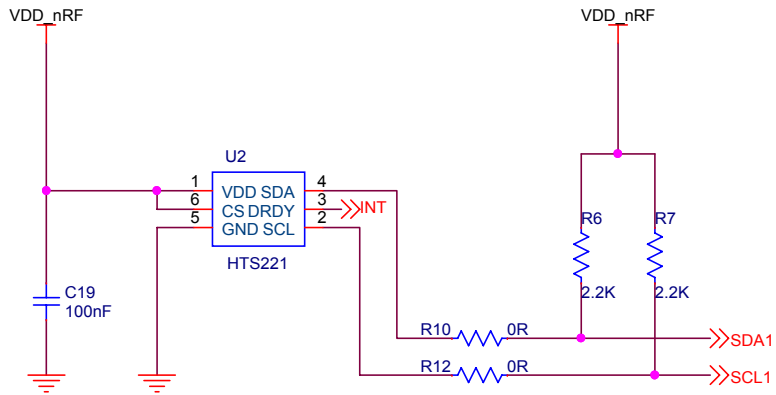


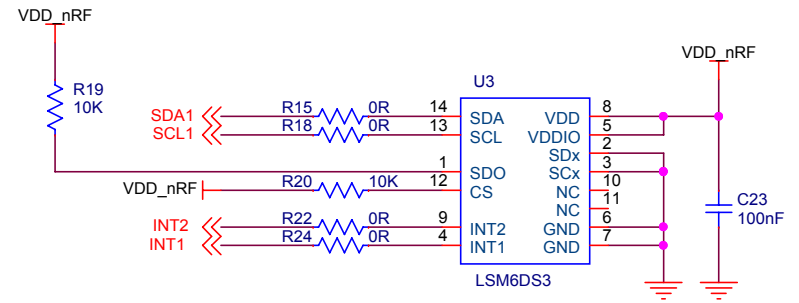
Table with 4 columns: Title, Document Number, Date, Sheet. Values include nRF52832, ARDUINO Primo Core, Friday, September 09, 2016, and 3 of 3.

### Humidity / temperature



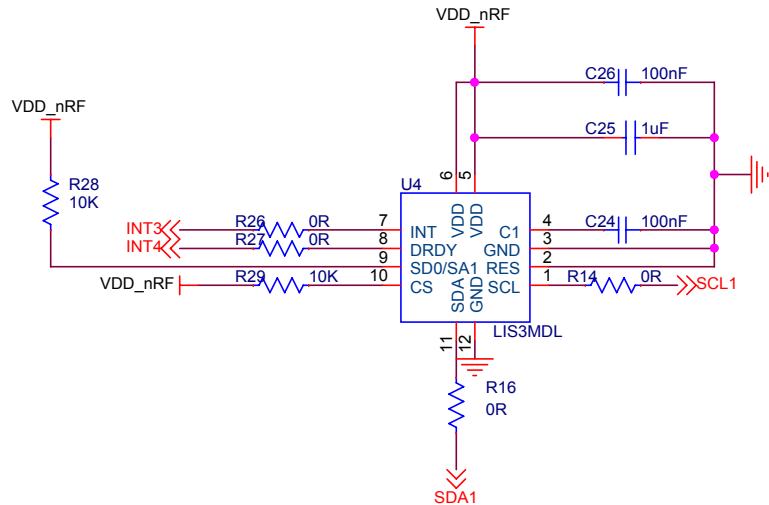
Address : 10111111

### Multifunction Digital Accelerometer



Address : 1101011b

### 3-axis magnetometer



Address : 0011110b

**dog hunter**

dog hunter INC

Title		
nRF52832		
Size	Document Number	Rev
A4	ARDUINO Primo Core	0.2
Date:	Friday, September 09, 2016	Sheet 3 of 3