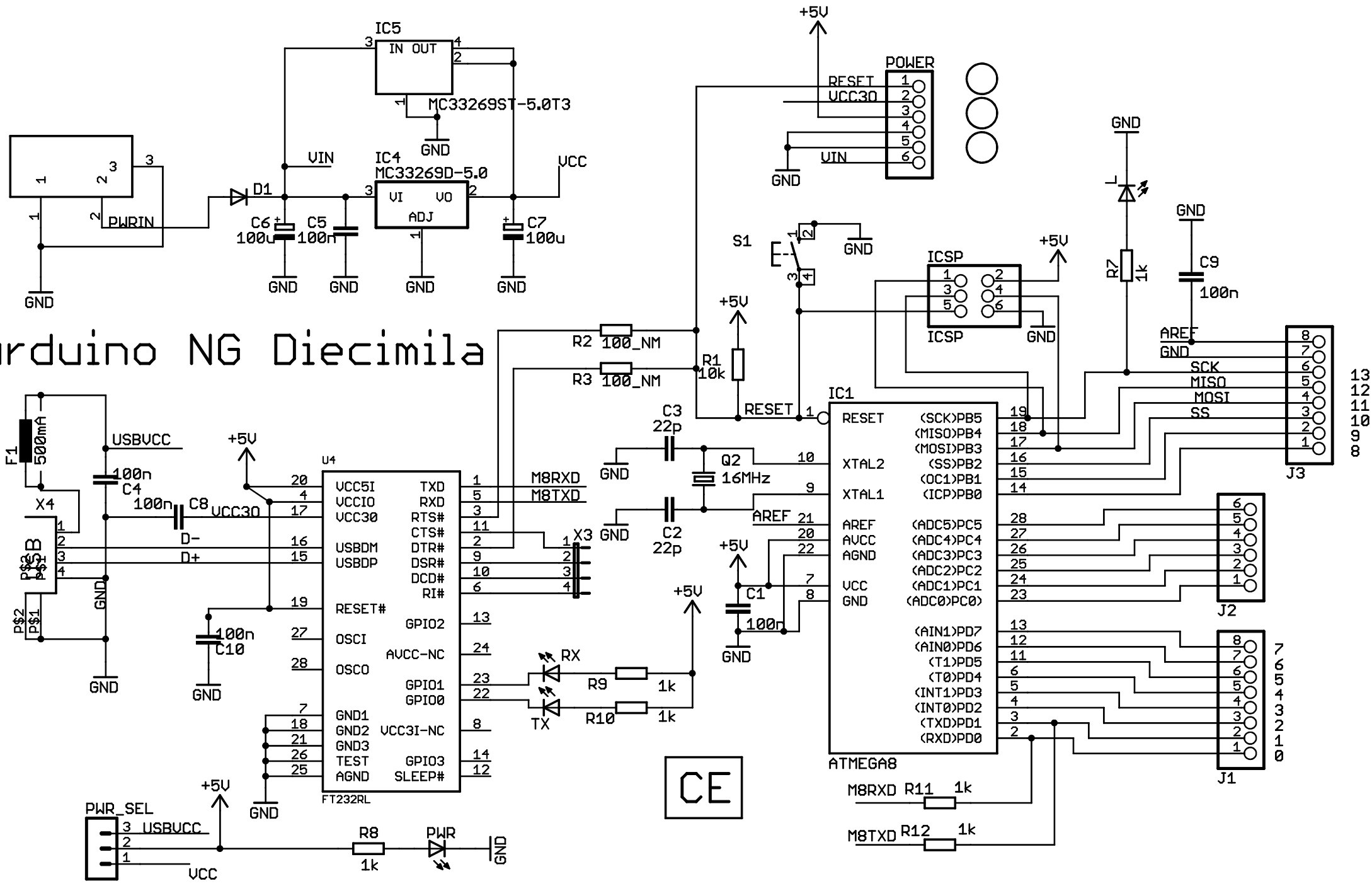


Arduino NG Diecimila



CE

13
12
11
10
9
8

8
7
6
5
4
3
2
1

8
7
6
5
4
3
2
1

