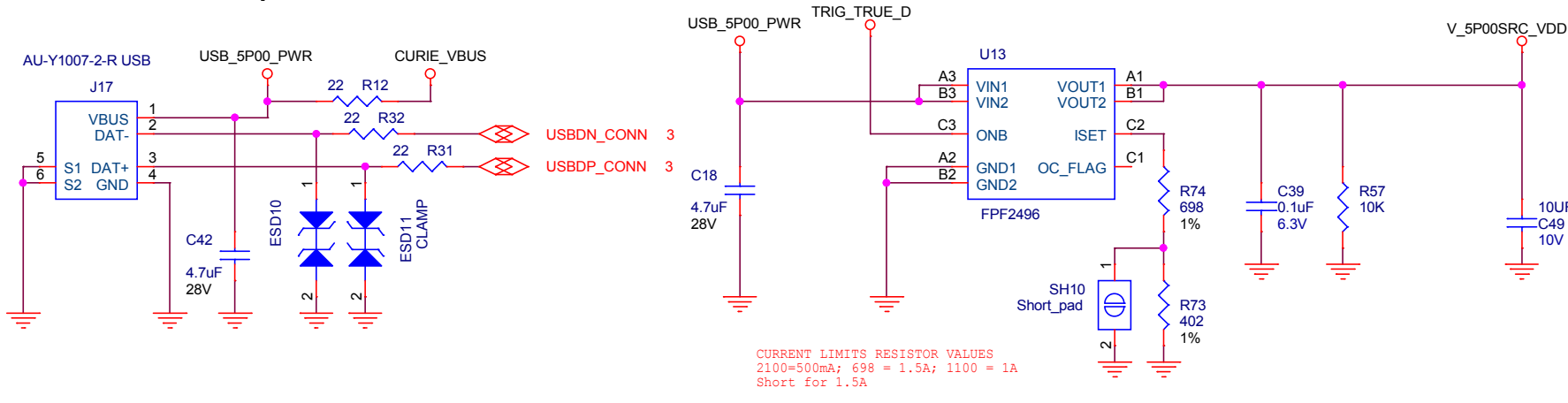


Intel® Curie™ Module Design Document

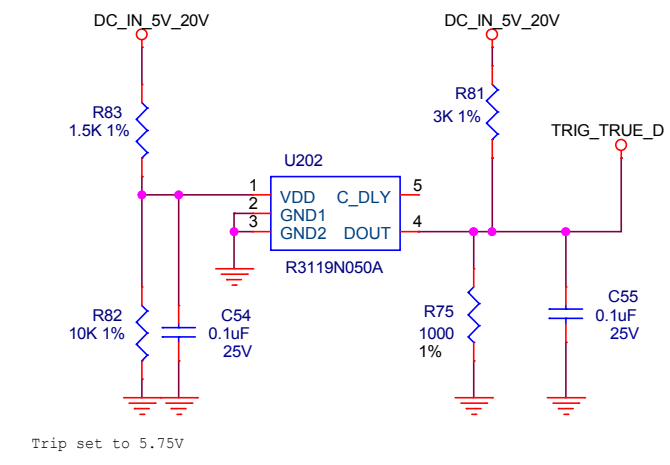
This Intel® Curie™ module design document is licensed by Intel under the terms of the Creative Commons Attribution Share-Alike License (ver. 3), subject to the following terms and conditions. The Intel Curie module design document IS PROVIDED "AS IS" AND "WITH ALL FAULTS." Intel DISCLAIMS ALL OTHER WARRANTIES, EXPRESS OR IMPLIED REGARDING THE INTEL CURIE MODULE DESIGN OR THIS INTEL CURIE MODULE DESIGN DOCUMENT INCLUDING, BUT NOT LIMITED TO, ANY IMPLIED WARRANTIES OF MERCHANTABILITY OR FITNESS FOR A PARTICULAR PURPOSE. Intel may make changes to the specifications, schematics, and product descriptions at any time, without notice. The customer must not rely on the absence or characteristics of any features or instructions marked "reserved" or "undefined." Intel reserves these for future definition and shall have no responsibility whatsoever for conflicts or incompatibilities arising from future changes to them. ENJOY!

INTEL	New Devices Group		
	ARDUINO 101		
EE: M. KASHI, S. VANGENT	Size	CAGE Code	DWG NO
Monday, January 25, 2016	Custom	Scale	SCHEM FOR TA=H94227
			Rev
			1
			Sheet 1 of 4

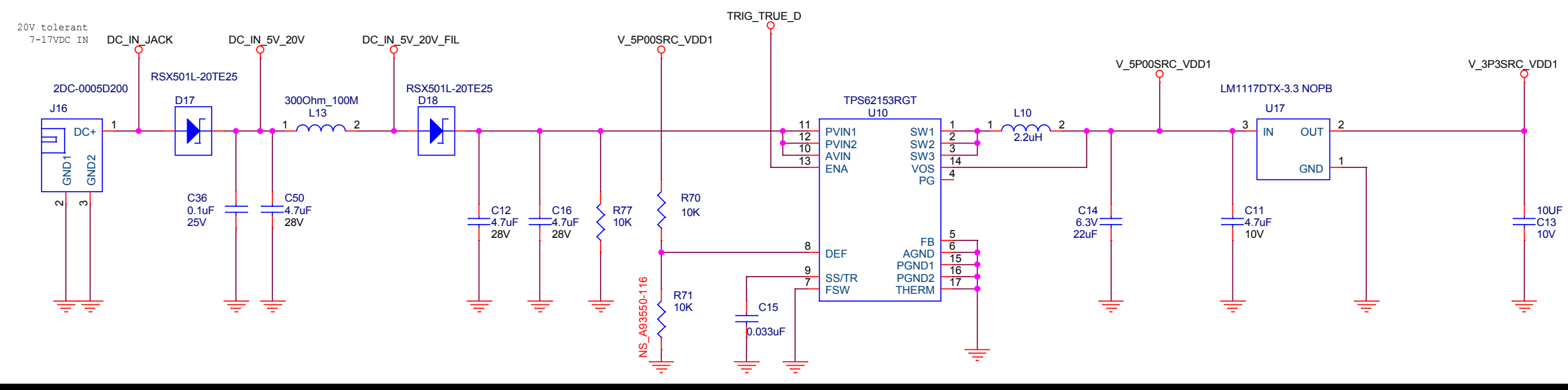
USB Power Input



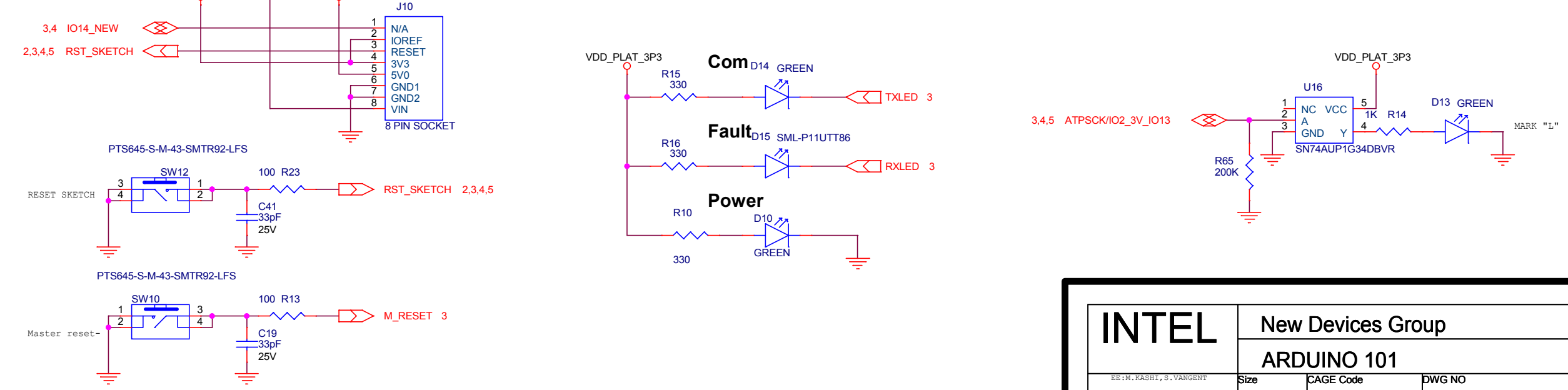
Power Input SEL



Barrel Power Input

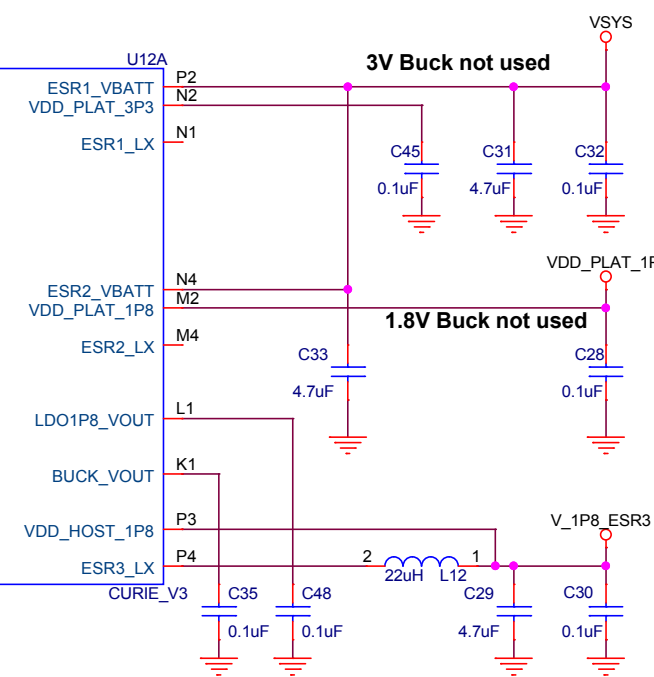
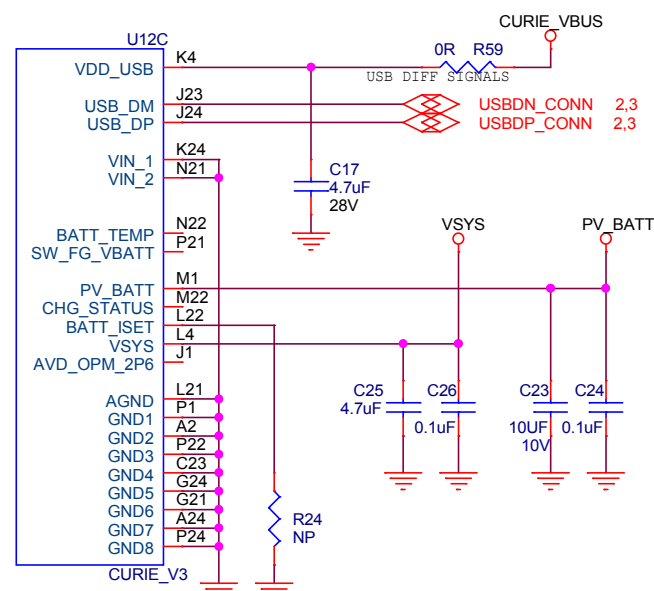
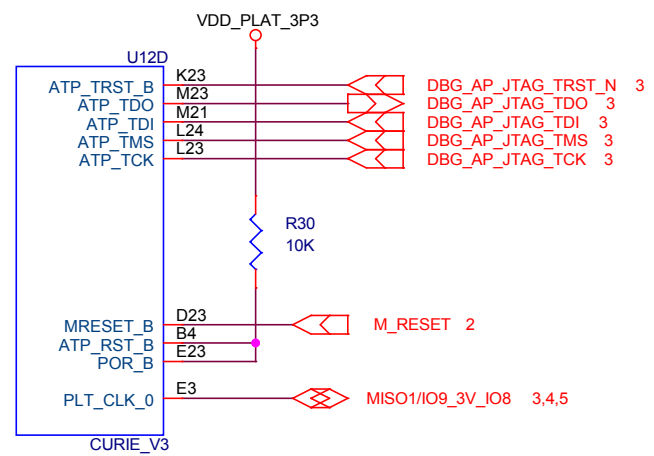


GENW BOARD SPECIFIC

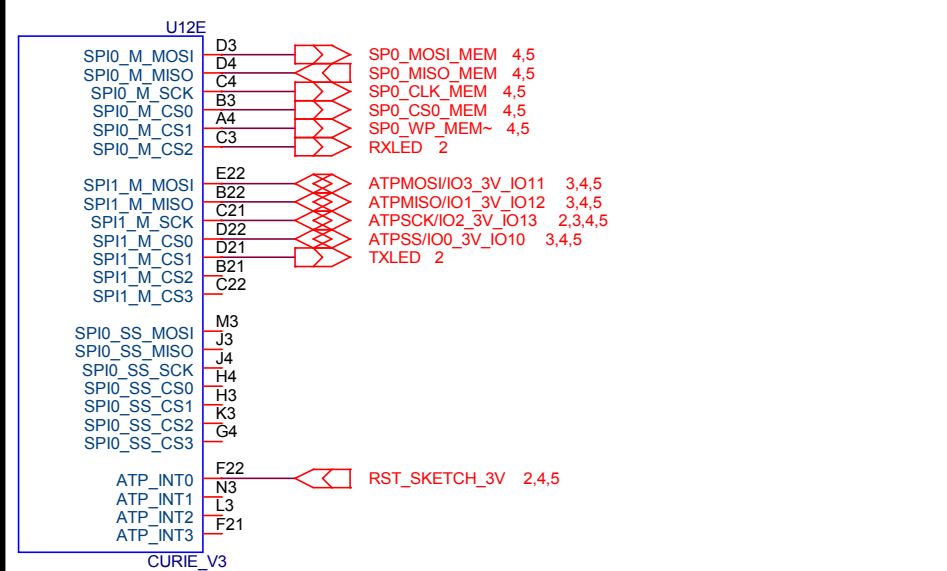
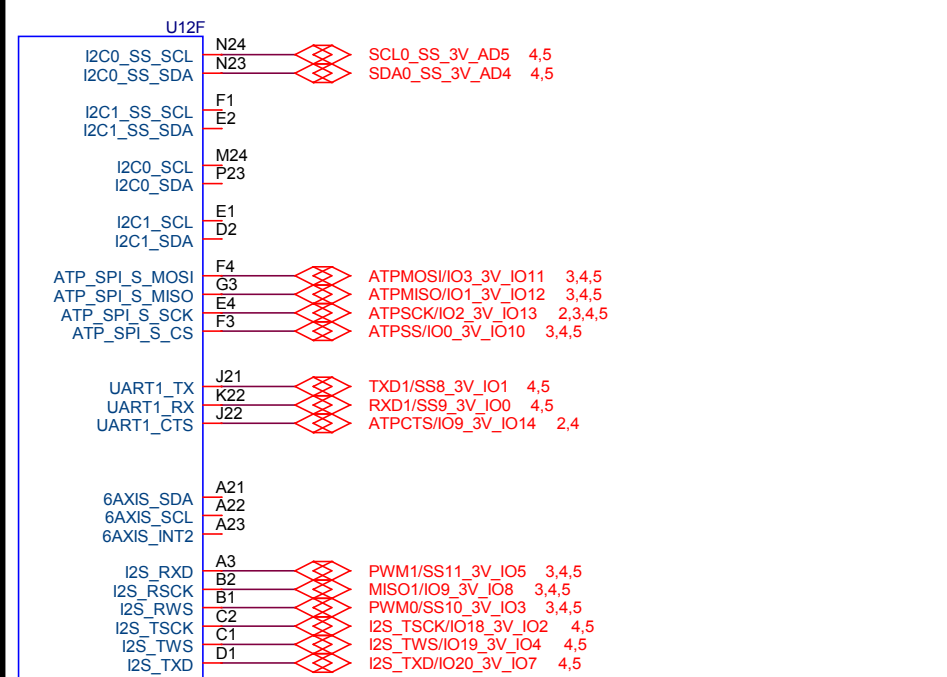
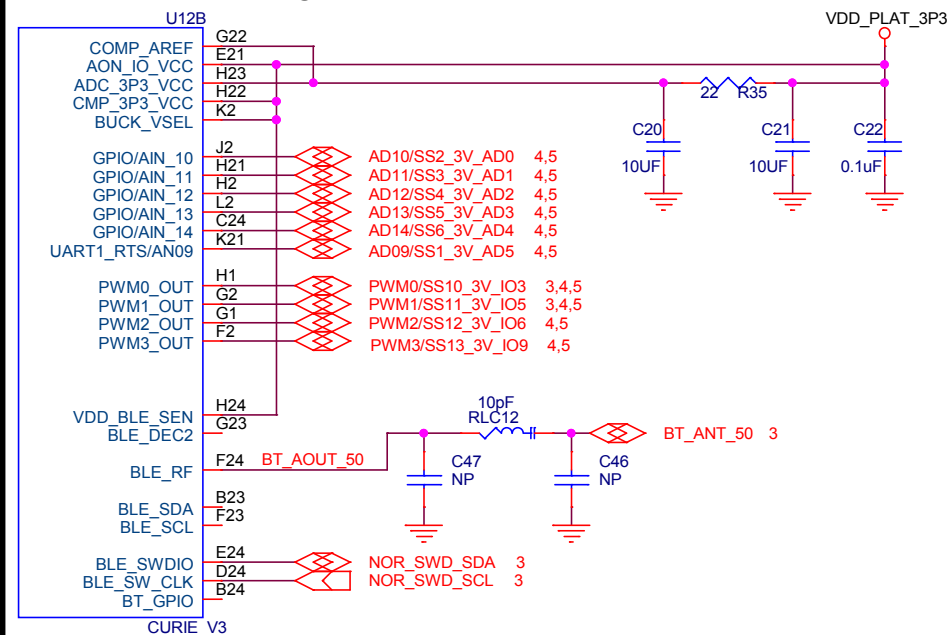


INTEL		New Devices Group	
		ARDUINO 101	
EE:IM.KASHI, S.VANGENT	Size	CAGE Code	DWG NO
Monday, January 25, 2016	Custom	Scale	SCHEM FOR TA=H94227
			Rev 1
			Sheet 2 of 4

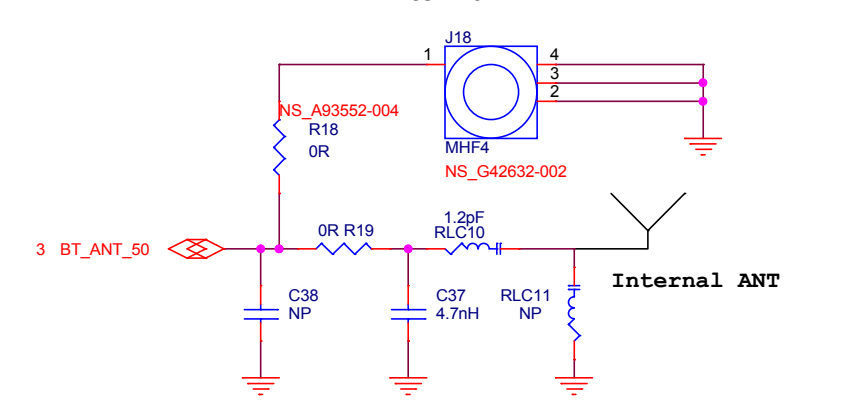
Power and reset



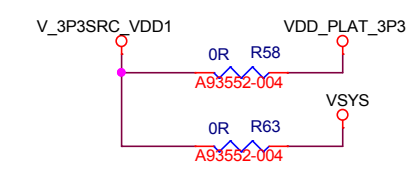
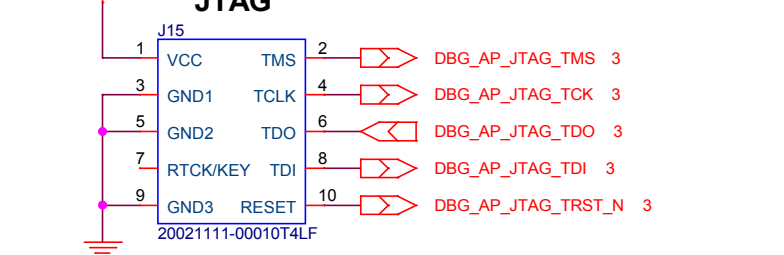
I/O



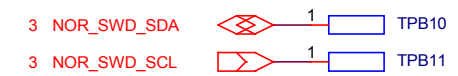
Antenna



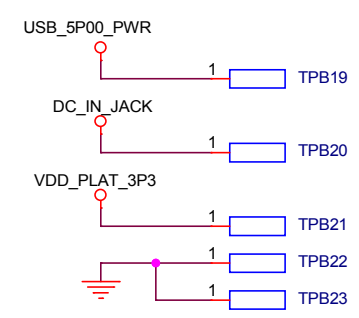
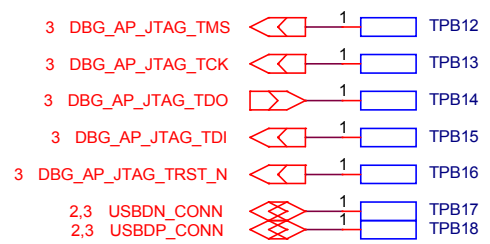
JTAG



Test Points



Test JTAG

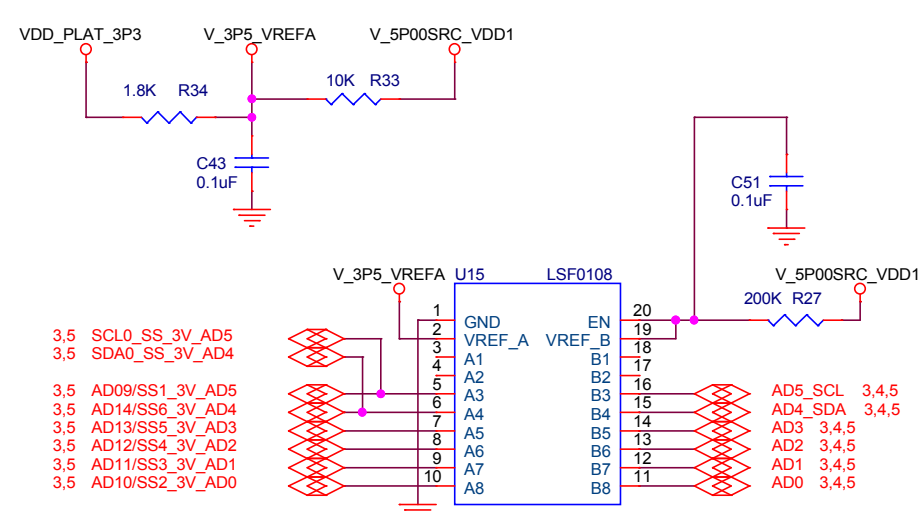


INTEL

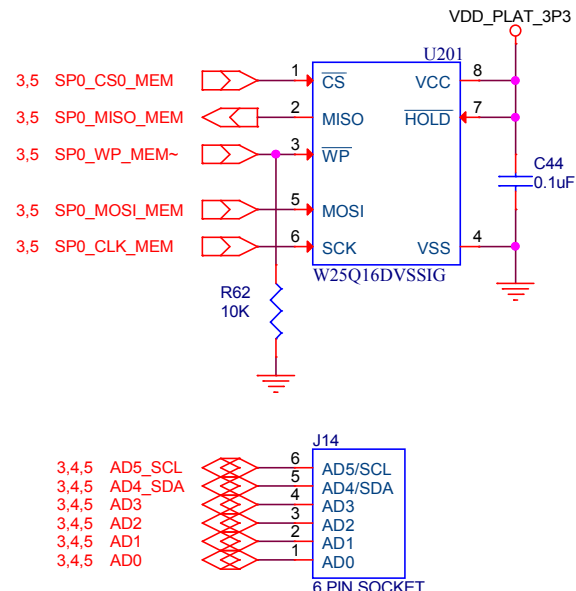
New Devices Group

ARDUINO 101

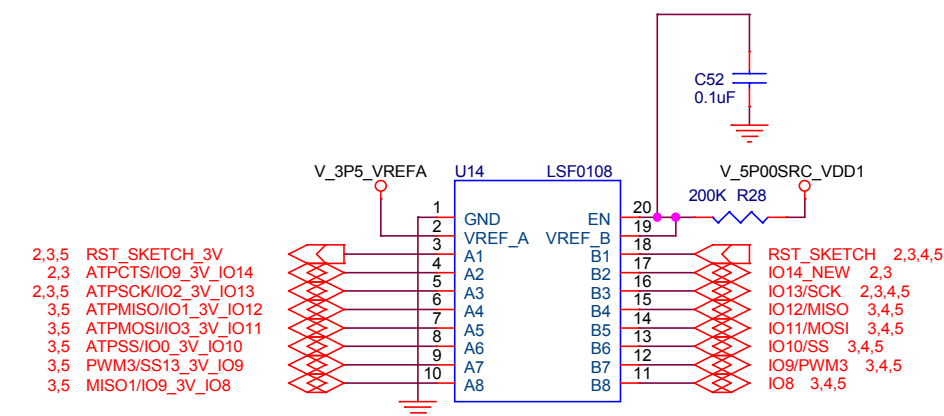
EE:IM.KASHI,S.VANGENT	Size	CAGE Code	DWG NO	Rev
Monday, January 25, 2016	Custom	Scale	SCHEM FOR TA=H94227	A
			Sheet	3 of 4



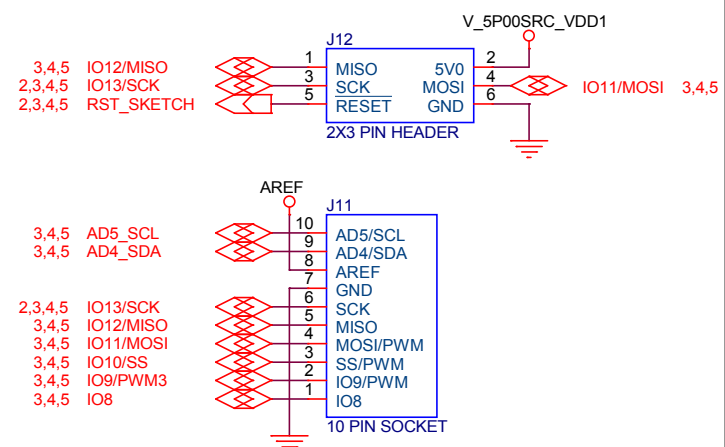
- 3.5 SCL0_SS_3V_AD5
- 3.5 SDA0_SS_3V_AD4
- 3.5 AD09/SS1_3V_AD5
- 3.5 AD14/SS6_3V_AD4
- 3.5 AD13/SS5_3V_AD3
- 3.5 AD12/SS4_3V_AD2
- 3.5 AD11/SS3_3V_AD1
- 3.5 AD10/SS2_3V_AD0



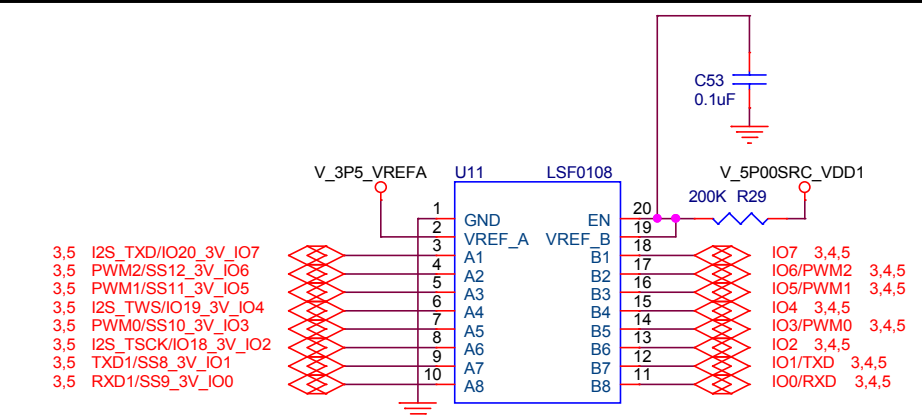
- 3.4,5 AD5_SCL
- 3.4,5 AD4_SDA
- 3.4,5 AD3
- 3.4,5 AD2
- 3.4,5 AD1
- 3.4,5 AD0



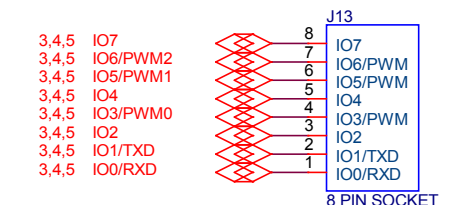
- 2,3,5 RST_SKETCH_3V
- 2,3 ATPCTS/IO9_3V_IO14
- 2,3,5 ATPSCK/IO2_3V_IO13
- 3,5 ATPMISO/IO1_3V_IO12
- 3,5 ATPMOSI/IO3_3V_IO11
- 3,5 ATPSS/IO0_3V_IO10
- 3,5 PWM3/SS13_3V_IO9
- 3,5 MISO1/IO9_3V_IO8



- 3.4,5 AD5_SCL
- 3.4,5 AD4_SDA
- 2,3,4,5 IO13/SCK
- 2,3,4,5 RST_SKETCH
- 3.4,5 IO14_NEW 2,3
- 3.4,5 IO13/SCK 2,3,4,5
- 3.4,5 IO12/MISO 3,4,5
- 3.4,5 IO11/MOSI 3,4,5
- 3.4,5 IO10/SS 3,4,5
- 3.4,5 IO9/PWM3 3,4,5
- 3.4,5 IO8



- 3.5 I2S_TXD/IO20_3V_IO7
- 3.5 PWM2/SS12_3V_IO6
- 3.5 PWM1/SS11_3V_IO5
- 3.5 I2S_TWS/IO19_3V_IO4
- 3.5 PWM0/SS10_3V_IO3
- 3.5 I2S_TSCK/IO18_3V_IO2
- 3.5 TXD1/SS8_3V_IO1
- 3.5 RXD1/SS9_3V_IO0



- 3.4,5 IO7
- 3.4,5 IO6/PWM2 3,4,5
- 3.4,5 IO5/PWM1 3,4,5
- 3.4,5 IO4 3,4,5
- 3.4,5 IO3/PWM0 3,4,5
- 3.4,5 IO2 3,4,5
- 3.4,5 IO1/TXD 3,4,5
- 3.4,5 IO0/RXD 3,4,5

Intel® Curie™ Design Document

This Intel® Curie™ design document is licensed by Intel under the terms of the Creative Commons Attribution Share-Alike License (ver. 3), subject to the following terms and conditions. The Intel® Curie™ design document IS PROVIDED "AS IS" AND "WITH ALL FAULTS." Intel DISCLAIMS ALL OTHER WARRANTIES, EXPRESS OR IMPLIED REGARDING THE CURIE DESIGN OR THIS CURIE DESIGN DOCUMENT INCLUDING, BUT NOT LIMITED TO, ANY IMPLIED WARRANTIES OF MERCHANTABILITY OR FITNESS FOR A PARTICULAR PURPOSE. Intel® may make changes to the specifications, schematics and product descriptions at any time, without notice. The Customer must not rely on the absence or characteristics of any features or instructions marked "reserved" or "undefined." Intel® reserves these for future definition and shall have no responsibility whatsoever for conflicts or incompatibilities arising from future changes to them.

ENJOY!

INTEL	New Devices Group		
	ARDUINO 101		
EE: M. KASHI, S. VANGENT	Size	CAGE Code	DWG NO
Monday, January 25, 2016	Custom	Scale	SCHEM FOR TA=H94227
			Rev 1
			Sheet 4 of 4